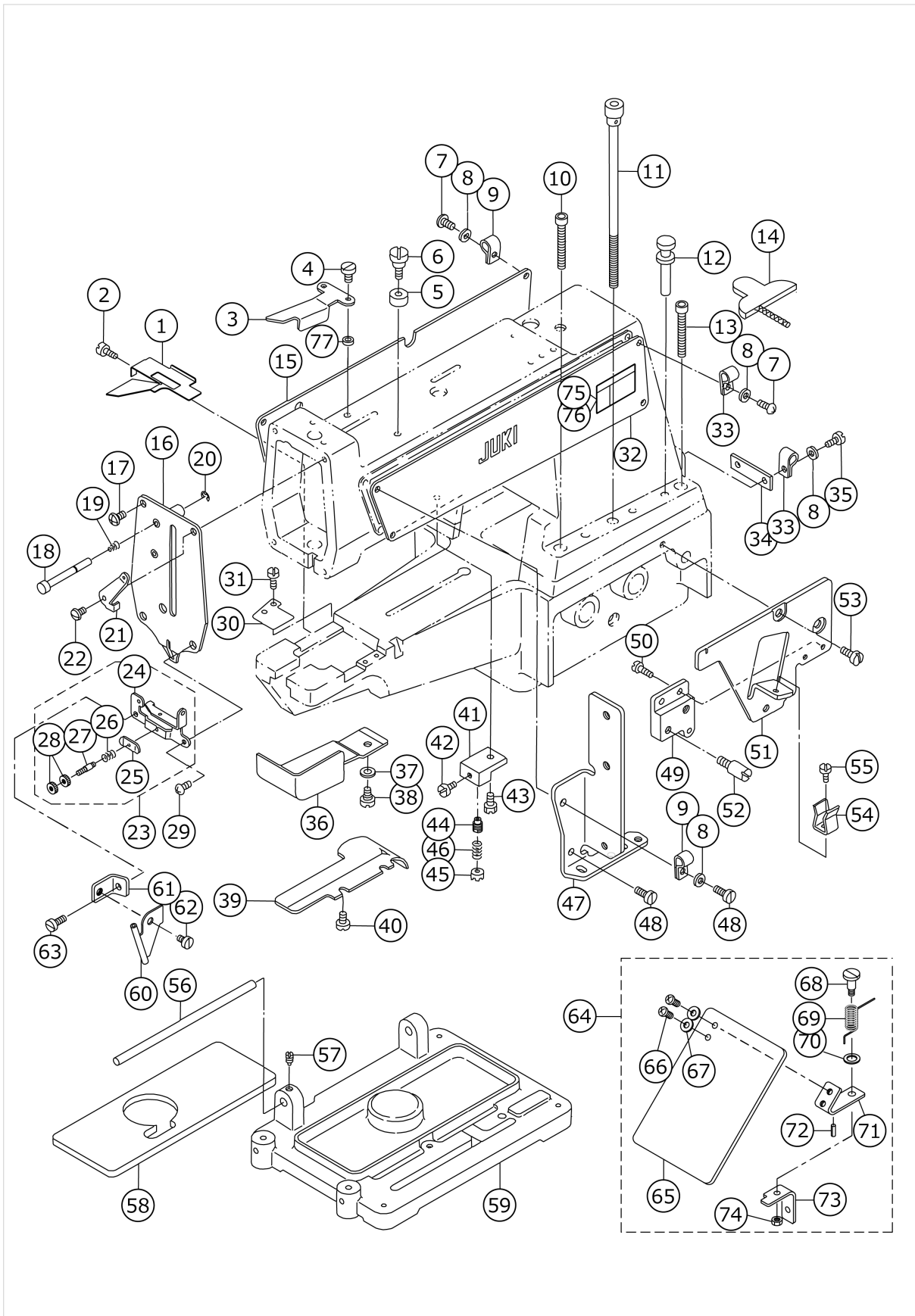


# AMB-189N

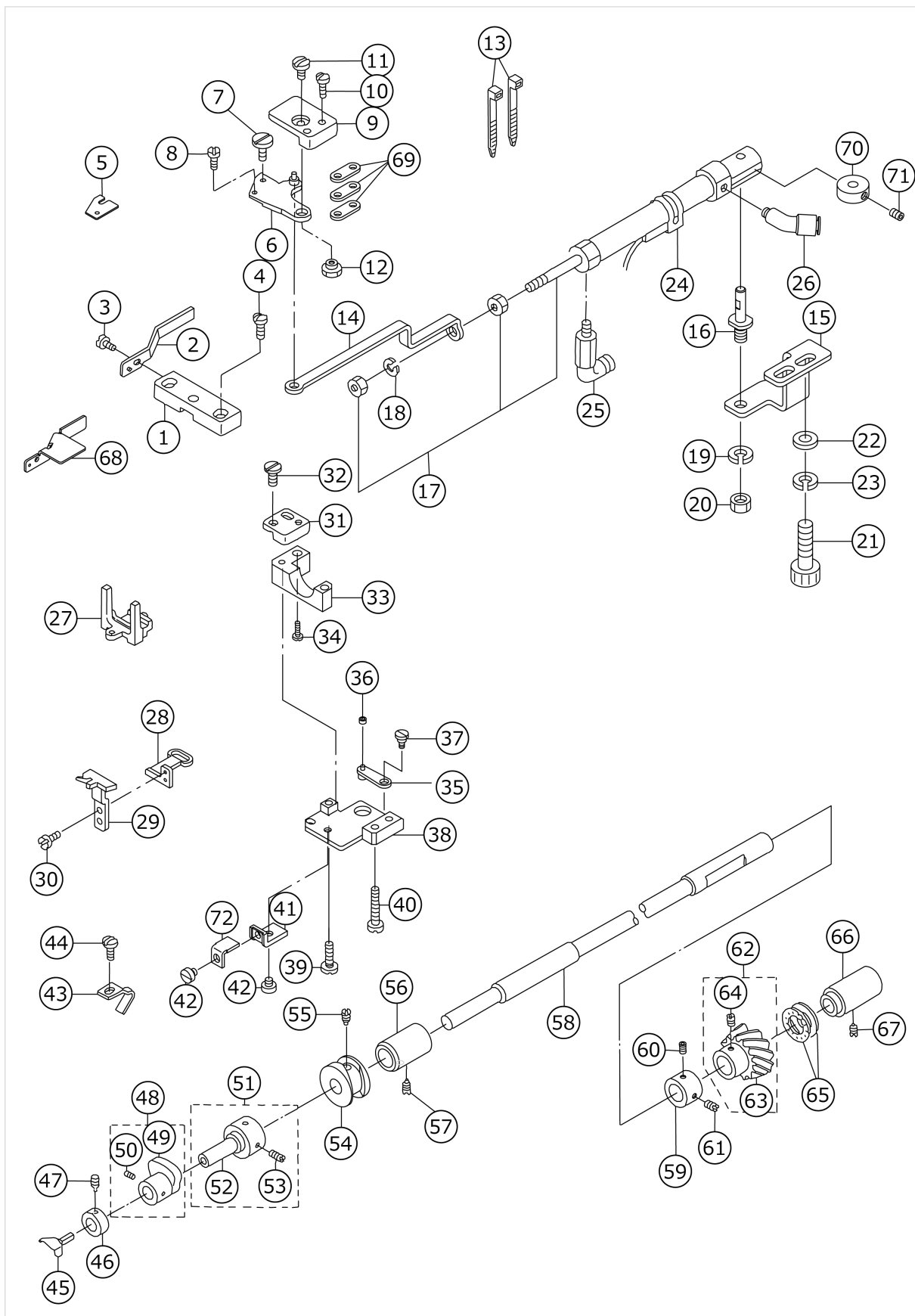
## ARM BED COMPONENTS



No.	品番	品名	備考	子部品	消耗品	個数
1	25003500	BUTTON COVER				1.00
2	SS6110480SP	SCREW 11/64-40 L=4.3				1.00
3	17801309	COVER A				1.00
4	SS6090620SP	SCREW 9/64-40 L=6				2.00
5	17801804	STOPPER				1.00
6	SD0791271SP	HINGE SCREW D= 7.94 H=12.7				1.00
7	SS4120915SP	SCREW 3/16-28 L=9				6.00
8	WP0531000SC	WASHER 5.3X10X1				5.00
9	HX00150000D	CABLE CLIP				2.00
10	SM6086002TP	SCREW				2.00
11	25000456	SET SCREW ASM.				1.00
12	25000308	GUID PIN				2.00
13	SM6085002TP	SCREW				2.00
14	17803057	OIL DRIP FELT, SMALL				1.00
15	17811068	SIDE COVER (LEFT) ASM.				1.00
16	17962358	FACE PLATE ASM.				1.00
17	SS4120915SP	SCREW 3/16-28 L=9				1.00
18	B3127372000	NIPPER RELEASING STUD				1.00
19	B3149123A00	TENSION SPRING				1.00
20	RE0320000K0	E-RING 3.2				1.00
21	17802307	THREAD GUIDE				1.00
22	SS5120810SP	SCREW				1.00
23	25002957	THREAD TENSION NO.3 ASM.				1.00
24	17802216	TENSION ADJUSTING BASE NO.3		*		1.00
25	B1131521000	THREAD PRESSER PLATE		*		1.00
26	B1136850000	TENSION SPRING B		*		1.00
27	25002809	THREAD TENSION STUD		*		1.00
28	25002908	THREAD TENSION NUT		*		2.00
29	SS6111210SP	SCREW 11/64-40 L=12				1.00
30	17962408	RECEIVING PLATE				1.00
31	SS6090610SP	SCREW 9/64-40 L= 5.5				2.00
32	17810912	SIDE COVER, RIGHT				1.00
33	HX00150000F	CABLE CLIP				3.00
34	17801408	COVER B				1.00
35	SS6120940SP	SCREW 3/16-28 L=9				2.00
36	17961905	LOOPER COVER				1.00
37	WS0650389KP	SPRING WASHER 6.5X14.0X17				1.00
38	SD0600271SP	HINGE SCREW D= 6 H= 2.7				1.00
39	B1119373000	BED OIL SHIELD				1.00
40	SS7110840SP	SCREW 11/64-40 L=7.8				2.00
41	17812207	SLIDER TRAY				1.00
42	SS6110670TP	SCREW 11/64-40 L=6.5				1.00
43	SS9161610SP	SCREW 1/4-24 L=16				1.00
44	25003203	SLIDER RECEIVER				1.00
45	B2574220000	SLIDER				1.00
46	B2576220000	SLIDER SPRING				1.00
47	17966714	MERKER INSTALLING PLATE				1.00
48	SS6121210SP	SCREW 3/16-28 L=12				2.00
49	17962200	COVER INSTALLING PLATE, B				1.00
50	SS6090520SP	SCREW 9/64-40 L= 5.0				2.00

51	17962101	COVER INSTALLING PLATE, A				1.00
52	B1120372000	SCREW STUD				1.00
53	SS7151340TP	SCREW 15/64-28 L=12.5				2.00
54	B1111372000	SIDE COVER SPRING				1.00
55	SS6090520SP	SCREW 9/64-40 L= 5.0				1.00
56	B1110372000	SIDE COVER HINGE SHAFT				1.00
57	SS8151150SP	SCREW 15/64-28 L=10.5				1.00
58	B1104372A00	OIL DRIP FELT (A) 5MM				1.00
59	17812405	BED INSTALLING BASE				1.00
60	25003906	AIR NOZZLE				1.00
61	25003807	AIR NOZZLE BASE				1.00
62	SS6110480SP	SCREW 11/64-40 L=4.3				1.00
63	SS6121210SP	SCREW 3/16-28 L=12				1.00
64	25003757	SAFETY PLATE ASM.				1.00
65	17811803	SAFETY PLATE		*		1.00
66	SS4110715SP	SCREW 11/64-40 L=7		*		2.00
67	WP0450801SD	WASHER 4.5X10X0.8		*		2.00
68	SD0601021SP	HINGE SCREW D=6 H=10.2		*		1.00
69	13943204	SAFETY PLATE RETURN SPRING		*		1.00
70	WP0740516SP	WASHER 7.4X11.8X0.5		*		1.00
71	17811902	INSTALLING PLATE		*		1.00
72	PS0200062KH	SPRING PIN 2X6		*		1.00
73	B3115372000	SAFETY PLATE INSTALLING BASE		*		1.00
74	NS6110310SP	NUT 11/64-40		*		1.00
75	CM300200101	SAFETY LABEL, 1(SMALL).	FOR DOMESTIC USE			1.00
76	CM3002001A1	SAFETY LABEL.,3 (SMALL).	FOR EXPORT			1.00
77	17802505	COLLAR A				1.00

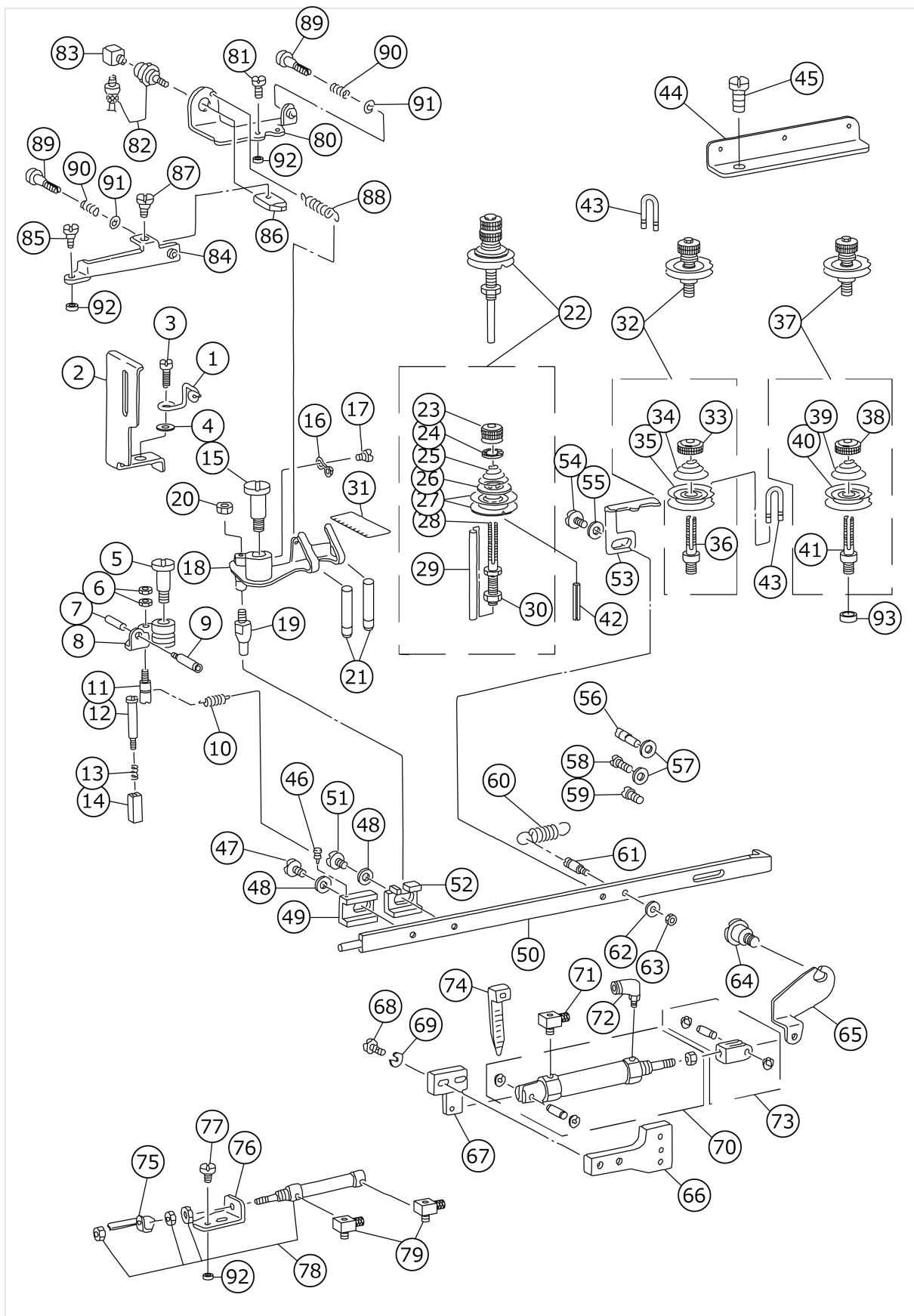
# LOOPER SHAFT MECHANISM COMPONENTS



No.	品番	品名	備考	子部品	消耗品	個数
1	25003609	THROAT PLATE				1.00
2	17961400	KNIFE COVER				1.00
3	SS6090540SP	SCREW 9/64-40 L= 5.0				1.00
4	SS7111410SP	SCREW 11/64-40 L=14				2.00
5	17962507	MOVING KNIFE				1.00
6	25003062	MOVING KNIFE HOLDER PLATE ASM.				1.00
7	SS7080310TP	SCREW 1/8-44 L=3.2				1.00
8	SS6050180SL	SCREW 5/64-64 L=1.2				1.00
9	17962903	MOVING KNIFE INSTALLING PLATE				1.00
10	SS7111810TP	SCREW 11/64-40 L=18				2.00
11	SS7110830SP	SCREW 11/64-40 L= 7.5				1.00
12	17962804	NUT				1.00
13	EA9500B0200	CABLE BAND 150				2.00
14	17963018	THREAD CUTTER CONNECTING PLATE				1.00
15	17807900	CYLINDER INSTALLING PLATE B				1.00
16	17805607	CYLINDER SHAFT				1.00
17	PA1504001A0	CYLINDER				1.00
18	WS0510002KN	SPRING WASHER				1.00
19	WS0610002KN	SPRING WASHER 6.1X12.2X1.5				1.00
20	NM6060001SC	NUT M6				1.00
21	SM6061602TN	SCREW M6 L=16				2.00
22	WP0641600SC	WASHEW 6.4X12.5X1.6				2.00
23	WS0610002KN	SPRING WASHER 6.1X12.2X1.5				2.00
24	PX500043000	BAND				1.00
25	PJ304040507	LONG ELBOW UNION				1.00
26	PJ309040501	ELBOW UNION				1.00
27	25001108	YORK SLIDE SUPPORT				1.00
28	25001009	INSTALLING PLATE				1.00
29	25000704	YORK SLIDE				1.00
30	SS6090670TP	SCREW 9/64-40 L=6				2.00
31	25000605	SUPPORT BASE PLATE				1.00
32	SS4110910TP	SCREW 11/64-40 L=9				2.00
33	25000902	SUPPORT BASE				1.00
34	SS7111810SP	SCREW 11/64-40 L=18				1.00
35	25001355	FRONT-AND-REAR ASM.				1.00
36	B1232372000	LOOP POSITIONING FINGER LEVER				1.00
37	SD0640241SP	HINGE SCREW D= 6.35 H= 2.4				1.00
38	25000803	RECIVING PLATE				1.00
39	SS7111410TP	SCREW 11/64-40 L=14				1.00
40	SS7112420SP	SCREW 11/64-40 L=24				1.00
41	25002502	YORK SLIDE GUIDE A				1.00
42	SS6110480SP	SCREW 11/64-40 L=4.3				2.00
43	17961202	THROAT GUIDE				1.00
44	SS7110840SP	SCREW 11/64-40 L=7.8				1.00
45	B1239372000	LOOPER				1.00
46	CS0790741TH	THRUST COLLAR				1.00
47	17804006	SCREW				1.00
48	17805359	CAM ASM.				1.00
49	17805300	CAM		*		1.00
50	SS8110410TP	SCREW 11/64-40 L= 3.5		*		2.00

51	17804253	LOOPER SHAFT ASM.				1.00
52	17804204	LOOPER SHAFT		*		1.00
53	SS8150410TP	SCREW 15/64-28 L= 4.0		*		2.00
54	25001405	YORK SLIDE CAM				1.00
55	SS8110410TP	SCREW 11/64-40 L= 3.5				1.00
56	B1227372000A	LOOPER SHAFT BUSHING, FRONT				1.00
57	SS8151150SP	SCREW 15/64-28 L=10.5				1.00
58	17803909	LOOPER SHAFT				1.00
59	CS1111019SH	THRUST COLLAR D=11.11 W=10				1.00
60	SS8660512TP	SCREW 1/4-40 L=5				1.00
61	SS8660330SP	SCREW 1/4-40 L= 3.0				1.00
62	B12243720A0	LOOPER SHAFT DRIVEN GEAR ASM.				1.00
63	B1224372000	LOOPER SHAFT DRIVEN GEAR (B)		*		1.00
64	SS8660612TP	SCREW 1/4-40 L=6		*		2.00
65	B1215372A00	THRUST BALL BEARING				1.00
66	B1222372000	LOOPER SHAFT BUSHING, REAR				1.00
67	SS8151150SP	SCREW 15/64-28 L=10.5				1.00
68	25009101	KNIFE COVER				1.00
69	25003104	MOVING KNIFE SPACER				3.00
70	16658700	COLLAR B				1.00
71	SM8040602TP	SCREW M4X0.7 L=6				1.00
72	25002601	YORK SLIDE GUIDE B				1.00

# NIPPER & THREAD TENSION PARTS COMPONENTS

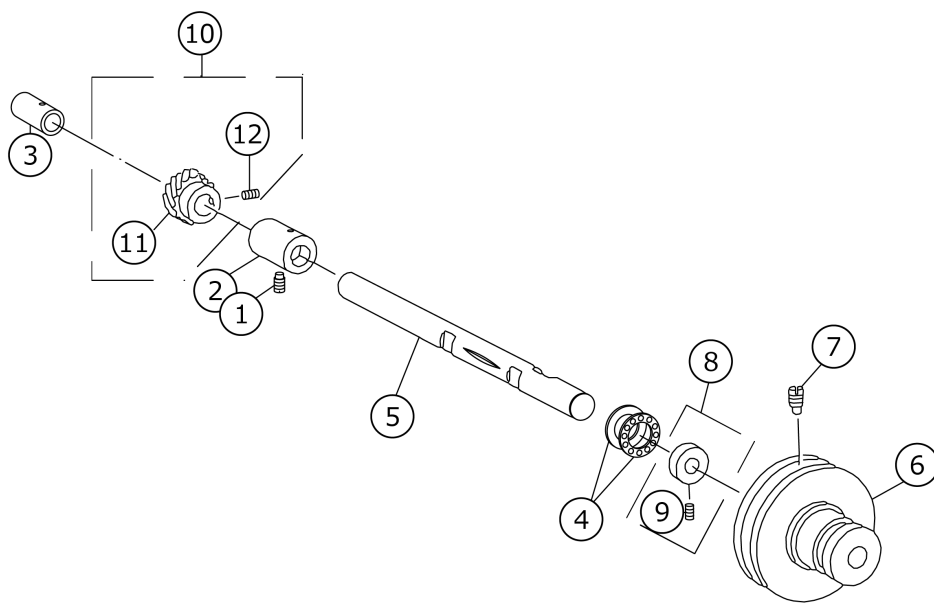


No.	品番	品名	備考	子部品	消耗品	個数
1	B2038372000	THREAD GUIDE NO. 2				1.00
2	B1421372000	NEEDLE BAR GUARD				1.00
3	SS7151210SP	SCREW 15/64-28 L=12				1.00
4	WP0621016SD	WASHER 6.2X13X1				1.00
5	SD0791271SP	HINGE SCREW D= 7.94 H=12.7				1.00
6	NS6080210SP	NUT 1/8-44				2.00
7	B2035372000	NUT				1.00
8	B20313720A0	THREAD NIPPER ASM.				1.00
9	B2034372000	THREAD RELEASING SCREW STUD				1.00
10	B2037372000	NIPPER BAR BLOCK SPRING				1.00
11	B2036372000	NIPPER BAR BLOCK SPRING SCREW				1.00
12	SD0402001TP	SCREW D=4 H=20				1.00
13	B2029372000	NIPPER BLOCK SPRING				1.00
14	B2028372000	NIPPER BLOCK				1.00
15	SD0791501SP	HINGE SCREW D= 7.94 H=15.0				1.00
16	B2040373000	THREAD GUIDE				1.00
17	SS7090510SP	SCREW 9/64-40 L= 4.6				1.00
18	17808452	THREAD TENSION LEVER				1.00
19	B2026372000	THREAD ADJUSTING LEVER PIN				1.00
20	NS6660430SP	NUT 1/4-40				1.00
21	B2024372000A	THREAD GUIDE PIN				2.00
22	B20193720AA	TESION POST ASM., NO.2				1.00
23	B3116125000	THREAD TENSION NUT		*		1.00
24	B3120125000	ROTATING STOPPER		*		1.00
25	B2021372000	THREAD TENSION SPRING NO.2		*		1.00
26	B3132012000	TENSION DISC HOLDER		*		1.00
27	B2016372000	TENSION DISC		*		2.00
28	B2019372000	TENSION POST NO.2		*		1.00
29	B2020372000	TENSION RELEASE PIN		*		1.00
30	NS6160520SP	NUT 1/4-24		*		1.00
31	17800707	SEAL				1.00
32	B20153720A0	THREAD TENSION ASM. (NO.1)				1.00
33	B2314019000	TENSION POST NUT		*		1.00
34	B2017372000	TENSION SPRING NO.1		*		1.00
35	B2016372000	TENSION DISC		*		2.00
36	B2015372000	THREAD TENSION STAFF NO. 1		*		1.00
37	17810052	POST PIN NO.1 ASM.				1.00
38	B2314019000	TENSION POST NUT		*		1.00
39	D3129555D00	THREAD TENSION SPRING		*		1.00
40	B2016372000	TENSION DISC		*		2.00
41	B2015372000	THREAD TENSION STAFF NO. 1		*		1.00
42	PS0300162KH	SPRING PIN 3X16				1.00
43	B2014372000A	THREAD GUIDE				2.00
44	17961707	THREAD GUIDE NO.1				1.00
45	SS7151210SP	SCREW 15/64-28 L=12				1.00
46	B2012372000	NIPPER BAR BLOCK SPRING PIN				1.00
47	SS6120930TP	SCREW 3/16-28 L=9				1.00
48	WP0501016SD	WASHER 5X10.5X1				2.00
49	B2011372000	NIPPER BAR BLOCK				1.00
50	B2004372000	NIPPER BAR				1.00



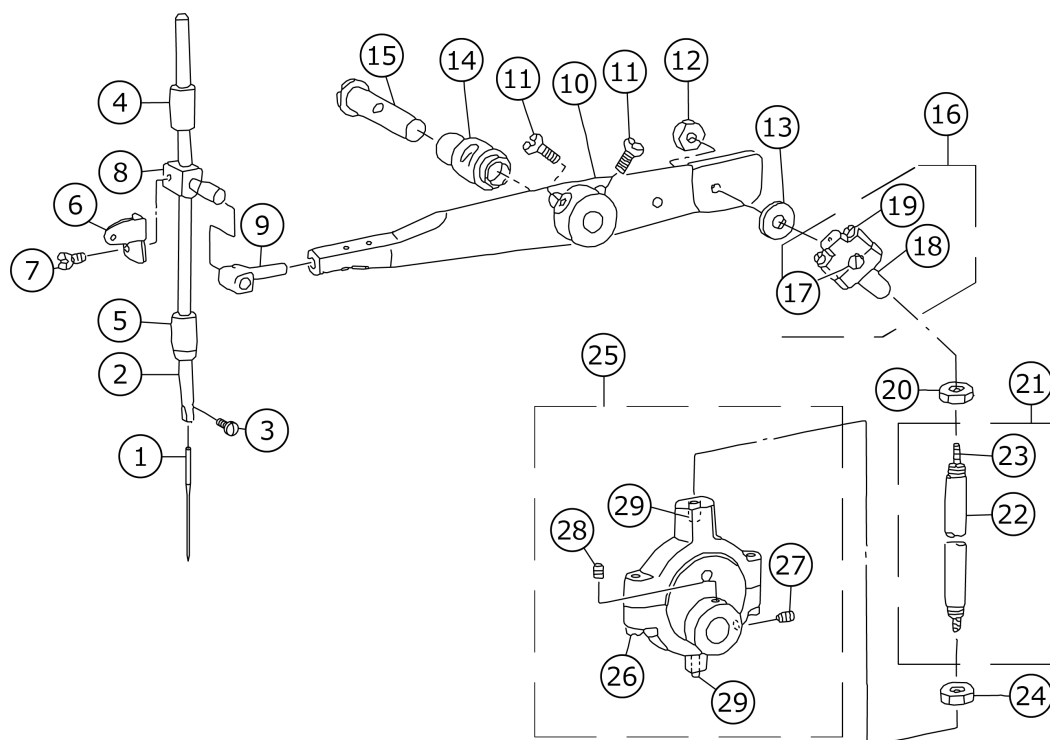
51	SS6120930TP	SCREW 3/16-28 L=9				1.00
52	17809203	NIPPER BAR BLOCK REAR				1.00
53	17808106	RELEASE PLATE				1.00
54	SS6120930TP	SCREW 3/16-28 L=9				1.00
55	WP0501016SD	WASHER 5X10.5X1				1.00
56	B2006372000	ADJUSTING SCREW				1.00
57	WP0480856SP	WASHER 4.8X8.4X0.8				2.00
58	SS6121610TP	SCREW 3/16-28 L=15.5				1.00
59	SS6121050SP	SCREW 3/16-28 L= 9.5				1.00
60	B2008372000	THREAD TENSION SPRING				1.00
61	B2007372000	NIPPER BAR SPRING SCREW				1.00
62	WP0371016SD	WASHER 3.7X8X1				1.00
63	NS6080340SP	NUT 1/8-44				1.00
64	SD0790802SP	HINGE SCREW D= 7.94 H= 8.0				1.00
65	17808056	THREAD TENSION PLATE ASM.				1.00
66	17808205	TENSION GUIDE BASE A				1.00
67	17808304	TENSION GUIDE BASE B				1.00
68	SS7111410TP	SCREW 11/64-40 L=14				2.00
69	WS0451040KP	SPRING WASHER 4.5X8.5X1				2.00
70	PA1501009A0	CYLINDER				1.00
71	PJ042050002	ELBOW				1.00
72	PJ304040504	ELBOW UNION				1.00
73	PX500020000	KNUCKLE JOINT				1.00
74	EA9500B0100	CABLE BAND				1.00
75	17807702	PLATE				1.00
76	17807801	CYLINDER INSTALLING PLATE A				1.00
77	SS6120940SP	SCREW 3/16-28 L=9				2.00
78	PA1003012A0	CYLINDER				1.00
79	PJ042050002	ELBOW				2.00
80	17808551	THREAD ADJUSTING BASE ASM.				1.00
81	SS6120940SP	SCREW 3/16-28 L=9				2.00
82	PA1000506A0	CYLINDER				1.00
83	PJ042050002	ELBOW				1.00
84	17808759	THREAD ADJUSTING LINK ASM.				1.00
85	SD0790203SP	HINGE SCREW D=7.94 H=2				1.00
86	17808809	JOINT				1.00
87	SD0600271SP	HINGE SCREW D= 6 H= 2.7				1.00
88	17808908	SPRING				1.00
89	17809005	KNOB				2.00
90	17809104	SPRING				2.00
91	B3120125000	ROTATING STOPPER				2.00
92	17802505	COLLAR A				5.00
93	17802604	COLLAR B				1.00

# NEEDLE DRIVING PULLEY SHAFT COMPONENTS



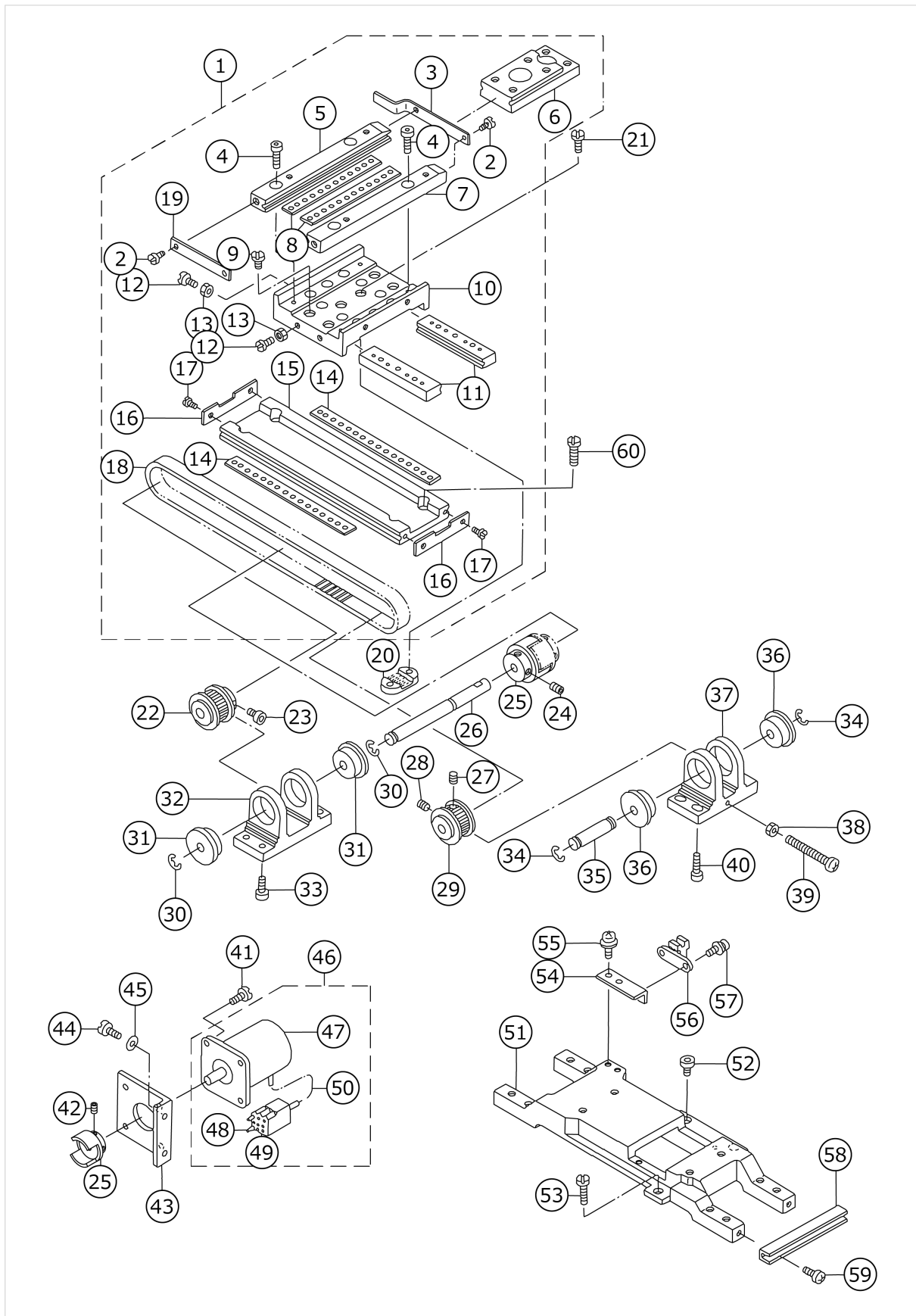
No.	品番	品名	備考	子部品	消耗品	個数
1	SS8151150SP	SCREW 15/64-28 L=10.5				1.00
2	B1216372000	PULLEY SHAFT BUSHING, RIGHT				1.00
3	B1223372000	PULLEY SHAFT BUSHING, LEFT				1.00
4	B1215372B00	THRUST BALL BEARING				1.00
5	17804303	DRIVE SHAFT				1.00
6	17804402	HAND WHEEL				1.00
7	SS8151550SP	SCREW 15/64-28 L=15				2.00
8	CS127101ASH	THRUST COLLAR ASM. D=12.7 W=10				1.00
9	SS8660610TP	SCREW 1/4-40 L=6		*		2.00
10	B12173720A0	DRIVING GEAR ASM.				1.00
11	B1217372000	DRIVING GEAR (A)		*		1.00
12	SS8660612TP	SCREW 1/4-40 L=6		*		2.00

# NEEDLE BAR DRIVING MECHANISM COMPONENTS



No.	品番	品名	備考	子部品	消耗品	個数
1	MCSM3320900	NEEDLE SMX332EXT.LG NM90				1.00
2	25002007	NEEDLE BAR				1.00
3	SS7080510TP	SCREW 1/8-44 L=4.5				1.00
4	B1402372000	NEEDLE BAR BUSHING, UPPER				1.00
5	17803107	BUSHING				1.00
6	17803206	THREAD TAKE-UP LEVER				1.00
7	SS6091210TP	SCREW 9/64-40 L=12				1.00
8	17806605	NEEDLE BAR SUPPORT				1.00
9	17806506	SLIDE BLOCK A	SELECTIVE PART			1.00
10	25001900	NEEDLE BAR LEVER				1.00
11	SS9151630CP	SCREW 15/64-28 L=15.5				2.00
12	NS6150440SP	NUT 15/64-28				1.00
13	B1411372A00	WASHER	SELECTIVE PART			1.00
14	B1407372000	BUSHING				1.00
15	B1408372000	LIFTING LEVER SHAFT				1.00
16	17806951	BALL JOINT UPPER ASM. SMALL				1.00
17	B1410372000	JOINT PIN		*		1.00
18	B1412372000	CRANK CONNECTING ROD,SMALL		*		1.00
19	17806902	SCREW SMALL		*		2.00
20	NS6680410SP	NUT 9/32-28				1.00
21	25001751	CRANK BAR ASM.				1.00
22	25001702	CRANK BAR		*		1.00
23	CQ200000000	OIL WICK		*		0.30
24	NS6680480SP	NUT 9/32-28				1.00
25	B14163720A0	BALL JOINT ECCENTRIC ASM.				1.00
26	B1418372000	CLAMP SCREW LOWER		*		2.00
27	SS8660942TP	SCREW 1/4-40 L= 8.5		*		1.00
28	SS8660612TP	SCREW 1/4-40 L=6		*		1.00
29	B1419372000	OIL WICK		*		2.00

# X-Y STEPPING MOTOR COMPONENTS (X SHAFT)

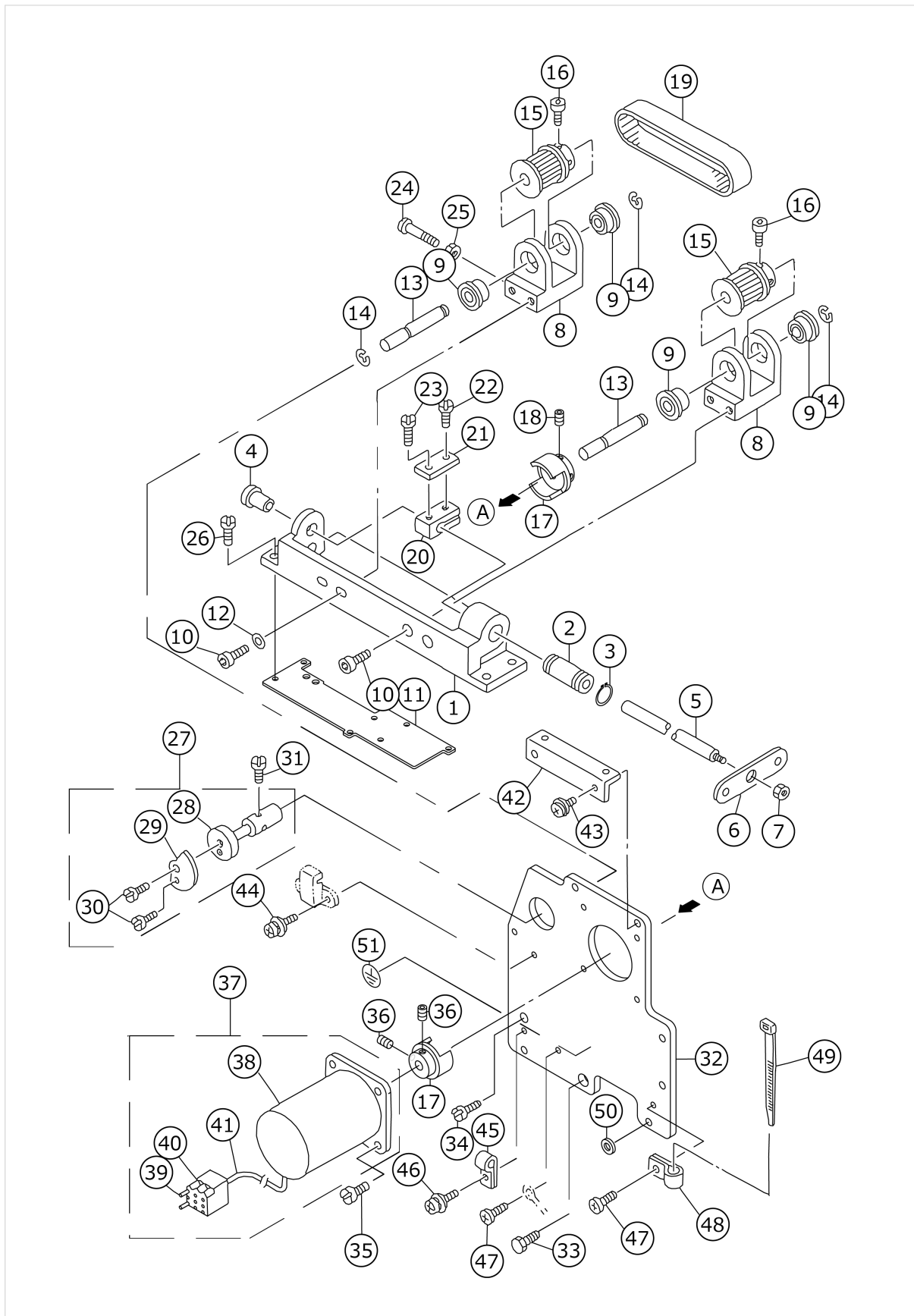


No.	品番	品名	備考	子部品	消耗品	個数
1	17814054	XY TABLE ASM.				1.00
2	SS6090620SP	SCREW 9/64-40 L=6		*		4.00
3	17814104	X SLIT PLATE		*		2.00
4	SM6041402TP	SCREW M4 L=14		*		4.00
5	B2519205000	Y FIXED RACE, A		*		1.00
6	B2519210000	Y REMOVAL RACE		*		1.00
7	B2520205000	Y FIXED RACE, B		*		1.00
8	B2522205000	Y BALL GAUGE		*		2.00
9	SS7110910TP	SCREW 11/64-40 L= 8.5		*		4.00
10	B2502210000	RACE TABLE		*		1.00
11	B2503210000	X REMOVAL RACE		*		2.00
12	SS7110910TP	SCREW 11/64-40 L= 8.5		*		4.00
13	NS6110310SP	NUT 11/64-40		*		4.00
14	B2521210000A	Y BALL GAUGE		*		2.00
15	B2501205000	X FIXED RACE		*		1.00
16	B2507210000	X STOPPER		*		2.00
17	SS6090620SP	SCREW 9/64-40 L=6		*		4.00
18	B2512205000	X TIMING BELT		*		1.00
19	B2522210000	Y STOPPER		*		1.00
20	B2509210000	X BELT RECEIVER				1.00
21	SS6110610TP	SCREW 11/64-40 L=6				2.00
22	B2513210000	SPROCKET WHEEL				1.00
23	SM6040602TP	SCREW M4 L=6				2.00
24	SM8050802TP	SCREW M5X0.8 L=8				2.00
25	B2516205000A	COUPLING				1.00
26	17812801	X-Y DRIVE SHAFT				1.00
27	SM8040602TP	SCREW M4X0.7 L=6				1.00
28	SM8040802TP	SCREW M4X8				1.00
29	B2514210000	SPROCKET WHEEL				1.00
30	RE0600000K0	E-RING 6				2.00
31	SB108000500	RADIAL BEARING				2.00
32	B2504210000	BRACKET, A				1.00
33	SM6051602TP	SCREW M5X0.8 L=16				4.00
34	RE0600000K0	E-RING 6				2.00
35	B2515210000	X BRACKET SHAFT				1.00
36	SB108000500	RADIAL BEARING				2.00
37	B2505210000	BRACKET, B				1.00
38	NM6050003SC	NUT M5X0.8				1.00
39	SM4051601SC	SCREW M5X0.8 L=16				1.00
40	SM6051602TP	SCREW M5X0.8 L=16				4.00
41	SS4110915SP	SCREW 11/64-40 L=9				4.00
42	SM8050802TP	SCREW M5X0.8 L=8				2.00
43	17813817	X MOTOR INSTALLING PLATE				1.00
44	SS4110915SP	SCREW 11/64-40 L=9				2.00
45	WP0501016SD	WASHER 5X10.5X1				2.00
46	25018755	X STEPPING MOTOR (B) ASM.				1.00
47	25018706	STEPPING MOTOR		*		1.00
48	HK003940010	PIN-SHAPE TERMINAL, FEMALE		*		4.00
49	D8621761C0B	6P RECEPTACLE (BLUE)		*		1.00
50	E8760452M00	TUBE		*		0.10

51	17963703	X-Y TABLE BASE				1.00
52	SS6151412TP	SCREW 15/64-28 L=14				2.00
53	SS9151210TP	SCREW 15/64-28 L=11.8				1.00
54	17814500	X INSTALLING PLATE				1.00
55	SL4030891SC	SCREW M3X8				2.00
56	17840653	SENSOR ASM.				1.00
57	SL4031291SC	SCREW M3X12				2.00
58	17814203	X ADJUSTING BASE				1.00
59	SM4040801SN	SCREW M4 L=8				2.00
60	SS6121210SP	SCREW 3/16-28 L=12				4.00



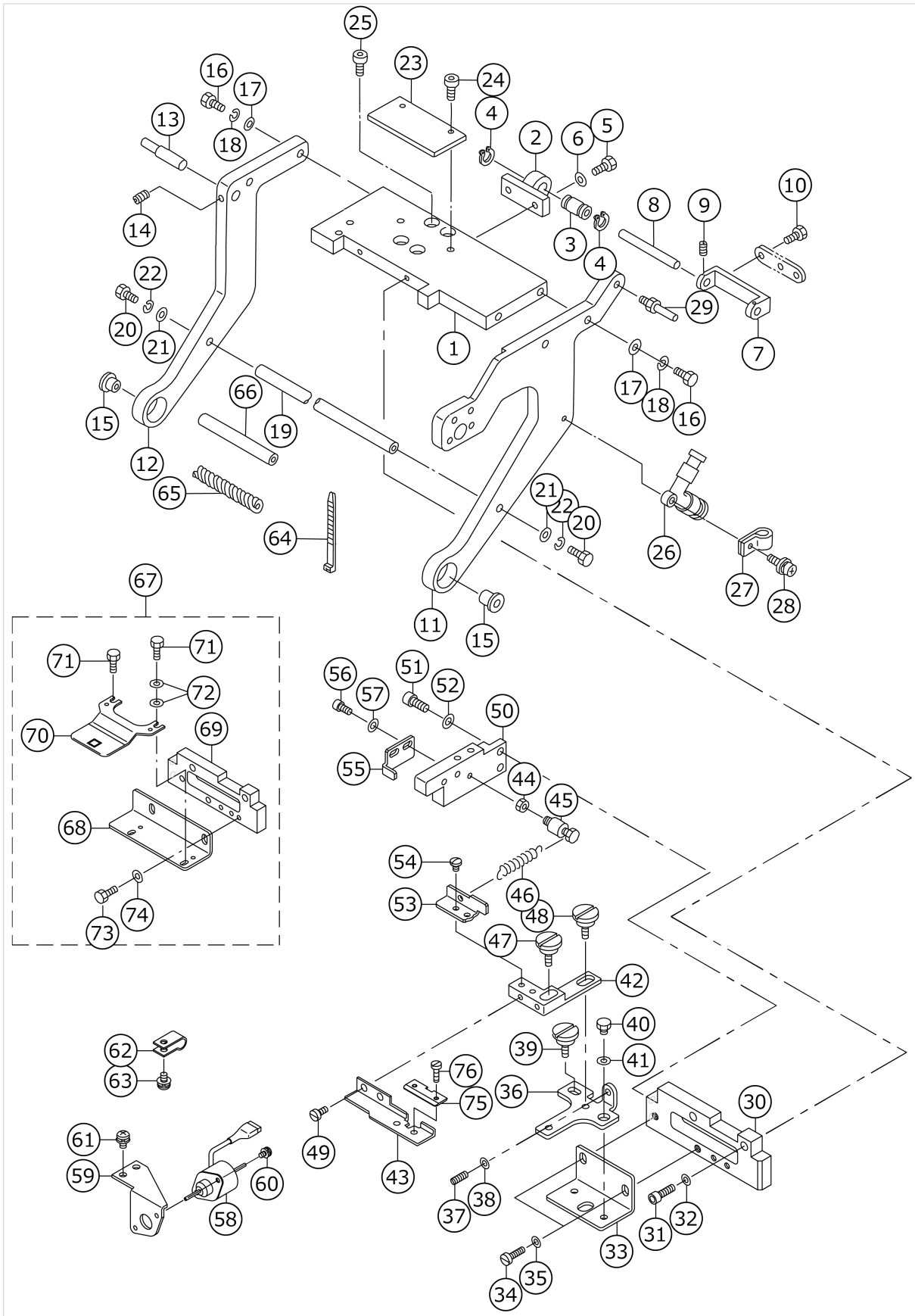
# X-Y STEPPING MOTOR COMPONENTS (Y SHAFT)



No.	品番	品名	備考	子部品	消耗品	個数
1	17812603	Y SHAFT BASE				1.00
2	SB710000200	SLIDE BEARING				1.00
3	RC1900001KP	C-RING				1.00
4	17813403	Y COLLAR				1.00
5	17812900	Y MOVING SHAFT				1.00
6	B2525205000	Y REMOVAL BRACKET				1.00
7	NS6150310SP	NUT 15/64-28				1.00
8	17812702	Y BRACKET				2.00
9	SB108000500	RADIAL BEARING				4.00
10	SM6051202TP	SCREW M5X0.8 L=12				4.00
11	25001603	SPACER B				1.00
12	WP0531000SC	WASHER 5.3X10X1				2.00
13	17812801	X-Y DRIVE SHAFT				2.00
14	RE0600000K0	E-RING 6				4.00
15	B2513210000	SPROCKET WHEEL				2.00
16	SM6040602TP	SCREW M4 L=6				4.00
17	B2516205000A	COUPLING				1.00
18	SM8050802TP	SCREW M5X0.8 L=8				2.00
19	17813106	Y TIMING BELT				1.00
20	B2536210000	Y BELT BASE				1.00
21	B2526210000	Y BELT RECEIVER				1.00
22	SS7111810TP	SCREW 11/64-40 L=18				1.00
23	SS7110910TP	SCREW 11/64-40 L= 8.5				1.00
24	SM4052501SC	SCREW M5X0.8 L=25				1.00
25	NM6050003SC	NUT M5X0.8				1.00
26	SS6151612TP	SCREW				4.00
27	17813056	Y SLIT PLATE BOSS ASM.				1.00
28	17813007	Y SLIT PLATE BOSS		*		1.00
29	B4008205000	Y SLIT PLATE		*		1.00
30	SS7090850SP	SCREW 9/64-40 L=8		*		2.00
31	SS6090610SP	SCREW 9/64-40 L= 5.5				2.00
32	25004003	Y MOTOR INSTALLING BASE				1.00
33	SS9201813CP	SCREW 5/16-18 L=18				1.00
34	SS6151440SP	SCREW 15/64-28 L=14				1.00
35	SS4110915SP	SCREW 11/64-40 L=9				4.00
36	SM8050802TP	SCREW M5X0.8 L=8				2.00
37	25018854	Y STEPPING MOTOR (B) ASM.				1.00
38	25018706	STEPPING MOTOR		*		1.00
39	HK003940010	PIN-SHAPE TERMINAL, FEMALE		*		4.00
40	HK018620060	6-POLE CONNECTOR		*		1.00
41	E8760452M00	TUBE		*		0.10
42	17813304	XY COVER PLATE				1.00
43	SL4051091SC	SCREW M5X0.8 L=10				2.00
44	SL4030891SC	SCREW M3X8				2.00
45	HX00150000A	CABLE CLAMP				1.00
46	SL4040891SC	SCREW M4 L=8				1.00
47	SL4040891SC	SCREW M4 L=8				2.00
48	HX00150000A	CABLE CLAMP				1.00
49	EA9500B0100	CABLE BAND				1.00
50	11047305	BELT COVER RUBBER CUSHION				2.00

51	10004109	GROUND MARK				1.00
----	----------	-------------	--	--	--	------

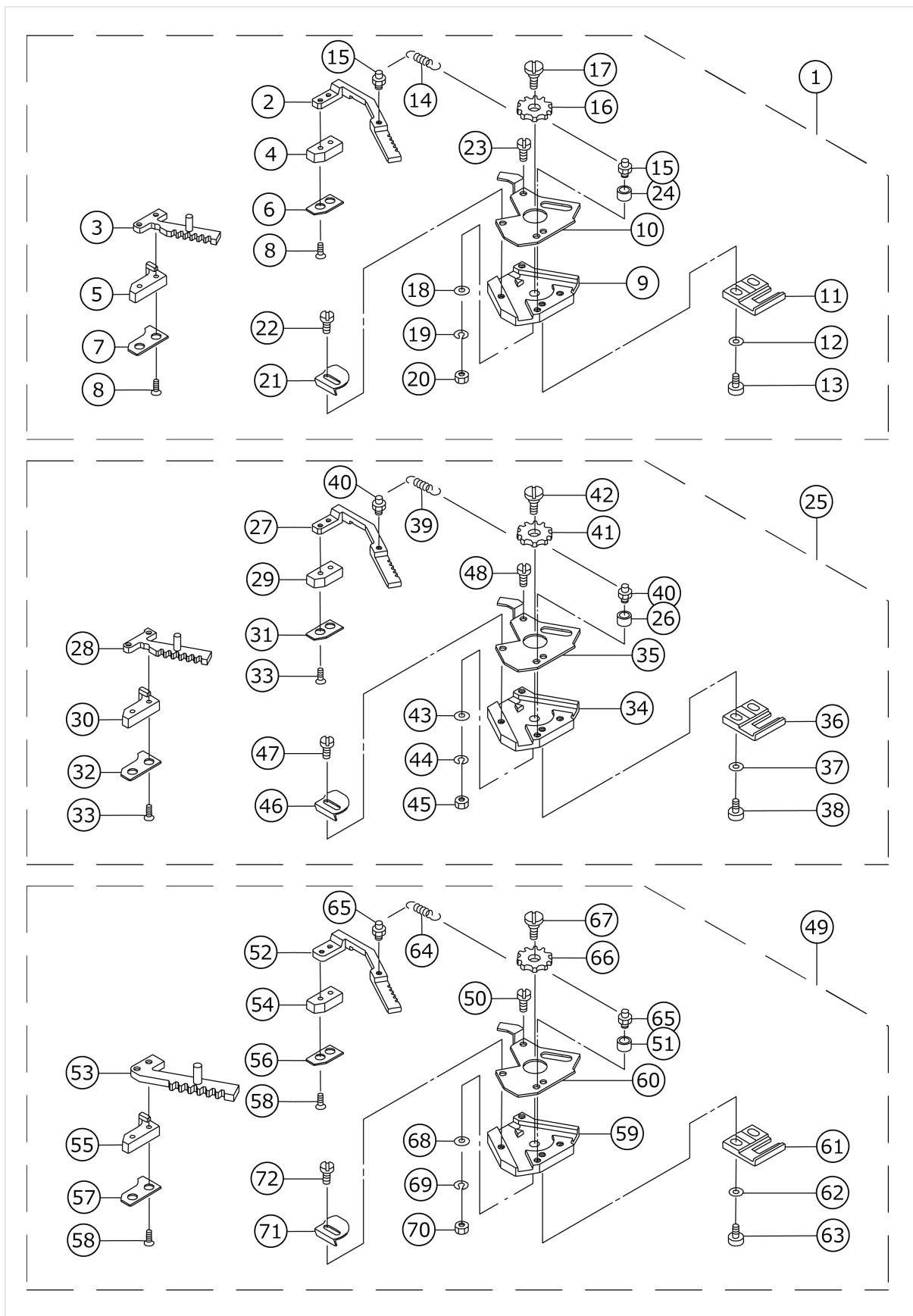
# X-Y FRAME COMPONENTS



No.	品番	品名	備考	子部品	消耗品	個数
1	25004110	Y TABLE BASE				1.00
2	17816604	Y TABLE SHAFT BRACKET				1.00
3	SB710000200	SLIDE BEARING				1.00
4	RC1900001KP	C-RING				2.00
5	SM9062003SC	SCREW M6 L=20				2.00
6	WP0641600SC	WASHEW 6.4X12.5X1.6				2.00
7	17816307	X SHAFT SUPPORT				1.00
8	B2510205000	X GUIDE SHAFT				1.00
9	SS8110422TP	SCREW 11/64-40 L=4				2.00
10	SS9150910SP	SCREW				2.00
11	25004201	FRAME, RIGHT				1.00
12	25004300	FRAME, LEFT				1.00
13	17816919	CYLINDER SHAFT				1.00
14	SM8050612TP	SCREW M5X6				1.00
15	SB110000500	BEARING				2.00
16	SM9062553SC	SCREW M6 L=25				4.00
17	WP0641600SC	WASHEW 6.4X12.5X1.6				4.00
18	WS0610002KN	SPRING WASHER 6.1X12.2X1.5				4.00
19	17816505	FRAME SHAFT				1.00
20	SM9062003SC	SCREW M6 L=20				2.00
21	WP0641600SC	WASHEW 6.4X12.5X1.6				2.00
22	WS0610002KN	SPRING WASHER 6.1X12.2X1.5				2.00
23	17816406	SLIDER PLATE				1.00
24	SM6050802TR	SCREW M5X0.8 L=8				2.00
25	SS6151612TP	SCREW				4.00
26	PJ304040001	ELBOW				1.00
27	HX00150000D	CABLE CLIP				1.00
28	SL4042091SC	SCREW M4X0.7 L=20				1.00
29	17816711	CYLINDER SHAFT				1.00
30	25338708	INSTALLING PLATE BLOCK				1.00
31	SM6051602TR	SCREW M5 L=16				2.00
32	WP0531000SC	WASHER 5.3X10X1				2.00
33	25338609	FITTING PLATE				1.00
34	SM9051450SC	SCREW M5X0.8 L=14				2.00
35	WP0531000SC	WASHER 5.3X10X1				2.00
36	25338500	FIXING PLATE				1.00
37	SS8111010TP	SCREW 11/64-40 L=9.5				1.00
38	NS6110310SP	NUT 11/64-40				1.00
39	SD0550212TP	HINGE SCREW D=5.5 H=2.1				1.00
40	SS9110543CP	SCREW 11/64-40 L=5.3				1.00
41	WP0450801SD	WASHER 4.5X10X0.8				1.00
42	25338401	BLOCK				1.00
43	25005000	SUPPORT PLATE				1.00
44	NS6090310SP	NUT 9/64-40				1.00
45	GBR01357000	SPRING HOOK				1.00
46	13525001	SPRING				1.00
47	SD0700811TP	HINGE SCREW				1.00
48	SD0700271TP	HINGE SCREW				1.00
49	SS6090540SP	SCREW 9/64-40 L= 5.0				2.00
50	25338302	SIDE BLOCK				1.00

51	SM6051602TR	SCREW M5 L=16				2.00
52	WS0510002KN	SPRING WASHER				2.00
53	25338005	ACTUATOR STOPPER A				1.00
54	SS7090520TP	SCREW 9/64-40 L= 4.5				2.00
55	25338104	ACTUATOR STOPPER B				1.00
56	SM6040802TR	SCREW M4X0.7 L=8				2.00
57	WP0430800SC	WASHER M4				2.00
58	25338955	ACTUATOR ASM.				1.00
59	25338203	ACTUATOR FITTING PLATE				1.00
60	SL4030681SC	SCREW M3 L=6				2.00
61	SL4040891SL	SCREW M4 L=8				2.00
62	HX00150000B	CABLE CLIP				1.00
63	SL4040891SL	SCREW M4 L=8				1.00
64	EA9500B0100	CABLE BAND				4.00
65	E1022760000	SPIRAL TUBE				0.20
66	HX00088000A	TUBE A (10)				0.20
67	25009051	LOWER PLATE ASM.	FOR EXPORT			1.00
68	25009002	INSTALLING BASE		*		1.00
69	25004508	INSTALLING PLATE BLOCK		*		1.00
70	17829003	SUPPORT PLATE LOWER (M BUTTON)		*		1.00
71	SS9110543CP	SCREW 11/64-40 L=5.3		*		2.00
72	WP0450801SD	WASHER 4.5X10X0.8		*		2.00
73	SM9051450SC	SCREW M5X0.8 L=14		*		2.00
74	WP0531000SC	WASHER 5.3X10X1		*		2.00
75	25005109	SPACER				1.00
76	SS2060210SP	SCREW 3/32-56 L=2.3				2.00

# CHUCK COMPONENTS

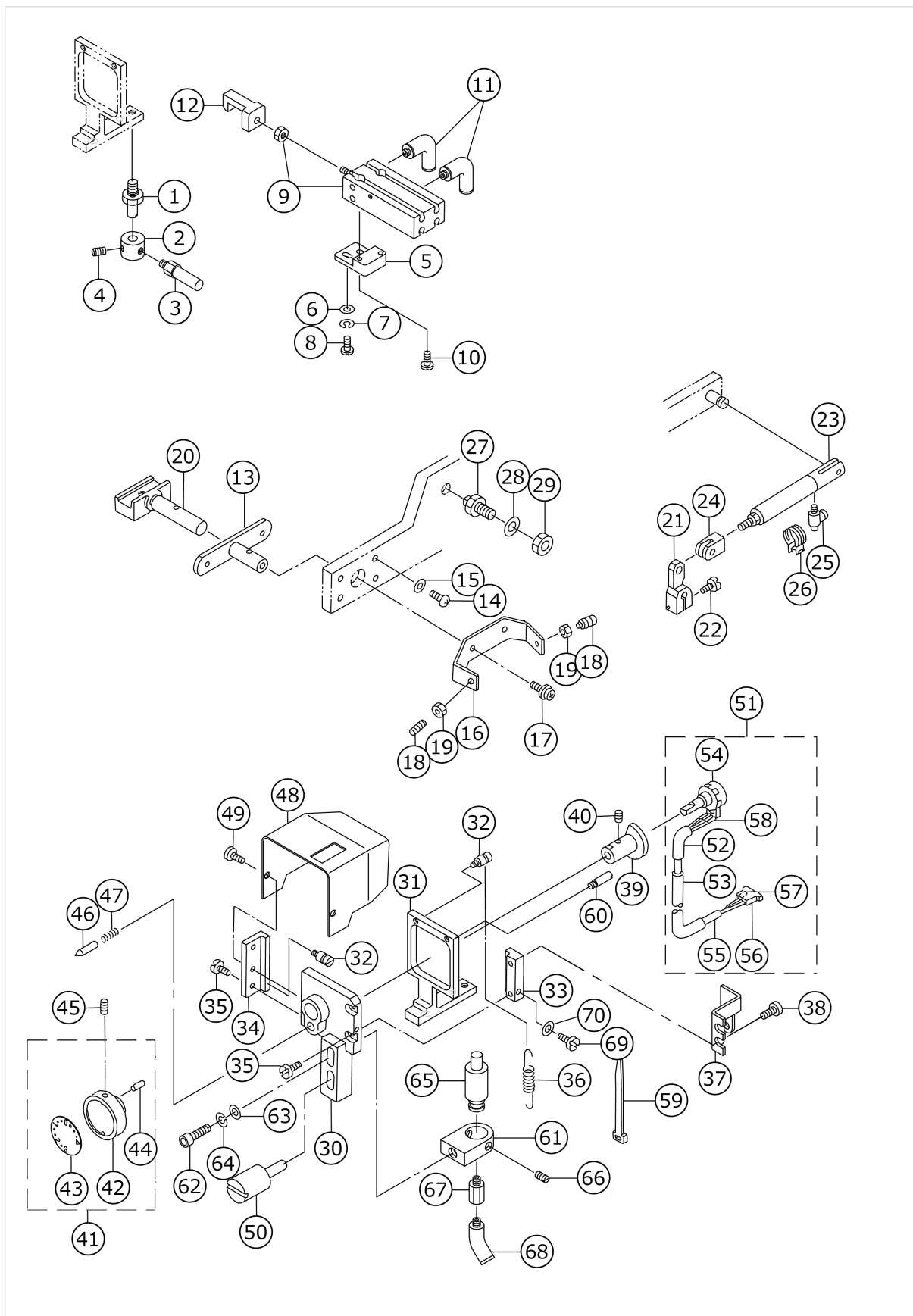


No.	品番	品名	備考	子部品	消耗品	個数
1	25010059	BUTTON CHUCK BASE COMPL.				1.00
2	25010000	BUTTON CHUCK BASE, LEFT		*		1.00
3	25010158	BUTTON CHUCK BASE(RIGHT)MEDIUM		*		1.00
4	17969304	CHUCK SPACER BASE, LEFT		*		1.00
5	17969403	CHUCK SPACER BASE, RIGHT		*		1.00
6	25010208	BUTTON RECEIVING PLATE, LEFT		*		1.00
7	25010307	BUTTON RECEIVING PLATE, RIGHT		*		1.00
8	SM1850951SD	SCREW M2.5 L=9		*		4.00
9	25010604	SLIDE BASE		*		1.00
10	25010703	COLLAR		*		1.00
11	25012006	BUTTON CHUCK ADJUST BASE		*		1.00
12	WP0371016SD	WASHER 3.7X8X1		*		2.00
13	SS6090620SP	SCREW 9/64-40 L=6		*		2.00
14	17970609	CHUCK SPRING		*		1.00
15	17821208	SUSPENSION SCREW B		*		2.00
16	17821018	OPEN AND SHUT GEAR		*		1.00
17	SD0800291TP	HINGE SCREW		*		1.00
18	WP0450801SD	WASHER 4.5X10X0.8		*		1.00
19	WS0451040KP	SPRING WASHER 4.5X8.5X1		*		1.00
20	NS6110420SP	NUT 11/64-40		*		1.00
21	17821802	BUTTON CHUCK STOPPER		*		1.00
22	SS6080610TP	SCREW 1/8-44 L=6		*		1.00
23	SS6080410SP	SCREW 1/8-44 L=4		*		2.00
24	25010703	COLLAR		*		1.00
25	25010851	BUTTON CHUCK BASE COMPL.				1.00
26	25010703	COLLAR		*		1.00
27	25010802	BUTTON CHUCK BASE, LEFT		*		1.00
28	25010950	BUTTON CHUCK BASE(RIGHT),LARGE		*		1.00
29	25011008	CHUCK SPACER BASE, LEFT		*		1.00
30	25011107	CHUCK SPACER BASE, RIGHT		*		1.00
31	25011206	BUTTON RECEIVING PLATE, LEFT		*		1.00
32	25011305	BUTTON RECEIVING PLATE, RIGHT		*		1.00
33	SM1850951SD	SCREW M2.5 L=9		*		4.00
34	25010604	SLIDE BASE		*		1.00
35	25010703	COLLAR		*		1.00
36	25012006	BUTTON CHUCK ADJUST BASE		*		1.00
37	WP0371016SD	WASHER 3.7X8X1		*		2.00
38	SS6090620SP	SCREW 9/64-40 L=6		*		2.00
39	17970609	CHUCK SPRING		*		1.00
40	17821208	SUSPENSION SCREW B		*		2.00
41	17821018	OPEN AND SHUT GEAR		*		1.00
42	SD0800291TP	HINGE SCREW		*		1.00
43	WP0450801SD	WASHER 4.5X10X0.8		*		1.00
44	WS0451040KP	SPRING WASHER 4.5X8.5X1		*		1.00
45	NS6110420SP	NUT 11/64-40		*		1.00
46	17821802	BUTTON CHUCK STOPPER		*		1.00
47	SS6080610TP	SCREW 1/8-44 L=6		*		1.00
48	SS6080410SP	SCREW 1/8-44 L=4		*		2.00
49	25011453	BUTTON CHUCK BASE COMPL.				1.00
50	SS6080410SP	SCREW 1/8-44 L=4		*		2.00



51	25010703	COLLAR		*		1.00
52	25011404	BUTTON CHUCK BASE, LEFT		*		1.00
53	25011552	BUTTON CHUCK BASE(RIGHT),SMALL		*		1.00
54	25011602	CHUCK SPACER BASE, LEFT		*		1.00
55	25011701	CHUCK SPACER BASE, RIGHT		*		1.00
56	25011800	BUTTON RECEIVING PLATE, LEFT		*		1.00
57	25011909	BUTTON RECEIVING PLATE, RIGHT		*		1.00
58	SM1850951SD	SCREW M2.5 L=9		*		4.00
59	25010604	SLIDE BASE		*		1.00
60	25010703	COLLAR		*		1.00
61	25012006	BUTTON CHUCK ADJUST BASE		*		1.00
62	WP0371016SD	WASHER 3.7X8X1		*		2.00
63	SS6090620SP	SCREW 9/64-40 L=6		*		2.00
64	17970609	CHUCK SPRING		*		1.00
65	17821208	SUSPENSION SCREW B		*		2.00
66	17821018	OPEN AND SHUT GEAR		*		1.00
67	SD0800291TP	HINGE SCREW		*		1.00
68	WP0450801SD	WASHER 4.5X10X0.8		*		1.00
69	WS0451040KP	SPRING WASHER 4.5X8.5X1		*		1.00
70	NS6110420SP	NUT 11/64-40		*		1.00
71	17821802	BUTTON CHUCK STOPPER		*		1.00
72	SS6080610TP	SCREW 1/8-44 L=6		*		1.00

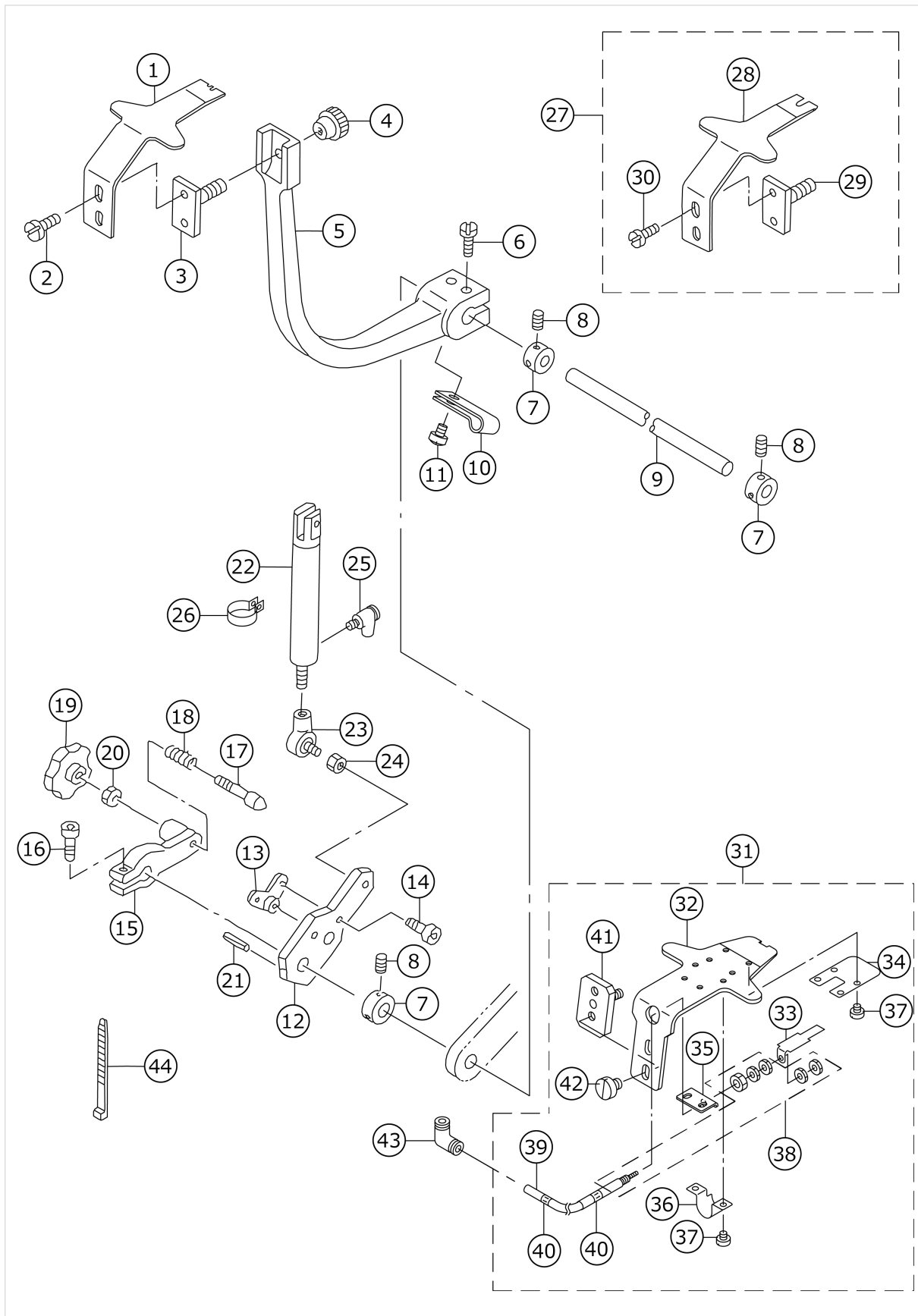
# CHUCK TURN OVER COMPONENTS



No.	品番	品名	備考	子部品	消耗品	個数
1	17970807	LOCK SCREW				1.00
2	17970906	LOCK COLLAR				1.00
3	17971003	LOCK LEVER				1.00
4	SS8110422TP	SCREW 11/64-40 L=4				1.00
5	25012303	CHUCK CYLINDER BASE				1.00
6	WP0371016SD	WASHER 3.7X8X1				2.00
7	WS0410002KP	SPRING WASHER				2.00
8	SS7090850SP	SCREW 9/64-40 L=8				2.00
9	PA0601505A0	CYLINDER				1.00
10	SL4031681SC	SCREW M3 X 16				2.00
11	PJ304040504	ELBOW UNION				2.00
12	25012402	CHUCK MOVING LEVER				1.00
13	17830209	BRACKET				1.00
14	SM4041401SC	SCREW M4X0.7 L=14				2.00
15	WP0430800SC	WASHER M4				2.00
16	17830100	STOPPER BASE				1.00
17	SL4051241SE	SCREW				2.00
18	SS8151720SP	SCREW				2.00
19	NS6150310SP	NUT 15/64-28				2.00
20	25008608	TURN OVER SHAFT				1.00
21	17830415	TURN LINK				1.00
22	SS9151740CP	SCREW 15/64-28 L=17				1.00
23	PA1603101A0	AIR CYLINDER				1.00
24	PX500020000	KNUCKLE JOINT				1.00
25	PC010507000	SPEED CONTROLLER				3.00
26	PX5000480A0	SWITCH FITTING METAL				2.00
27	25004409	STOPPER SHAFT				1.00
28	WP0531000SC	WASHER 5.3X10X1				1.00
29	NM6050003SC	NUT M5X0.8				1.00
30	25007501	ADJUSTING BASE				1.00
31	25007626	ADJUSTING SLIDE				1.00
32	17818600	SUSPENSION SCREW				2.00
33	25007709	ADJUSTING GUIDE, RIGHT				1.00
34	25007808	ADJUSTING GUIDE, LEFT				1.00
35	SS6080720SP	SCREW				4.00
36	GBR01227000	TENSION SPRING				1.00
37	25007907	CABLE SUPPORT				1.00
38	SS6080720SP	SCREW				2.00
39	25008004	CAM				1.00
40	SS8080410TP	SCREW 1/8-44 L=3.5				1.00
41	25008152	KNOB ASM.				1.00
42	25008103	KNOB		*		1.00
43	25008202	PIAL PLATE		*		1.00
44	PS0200122K0	SPRING PIN 2.0X12		*		1.00
45	SS8090710SP	SCREW 9/64-40 L= 7.0				2.00
46	17825514	RATCHET				1.00
47	B152652700G	SPRING				1.00
48	25008319	ENCODER COVER				1.00
49	SM0030601SC	SCREW M3X0.5 L=6				2.00
50	17964909	ADJUSTING BASE SCREW				1.00

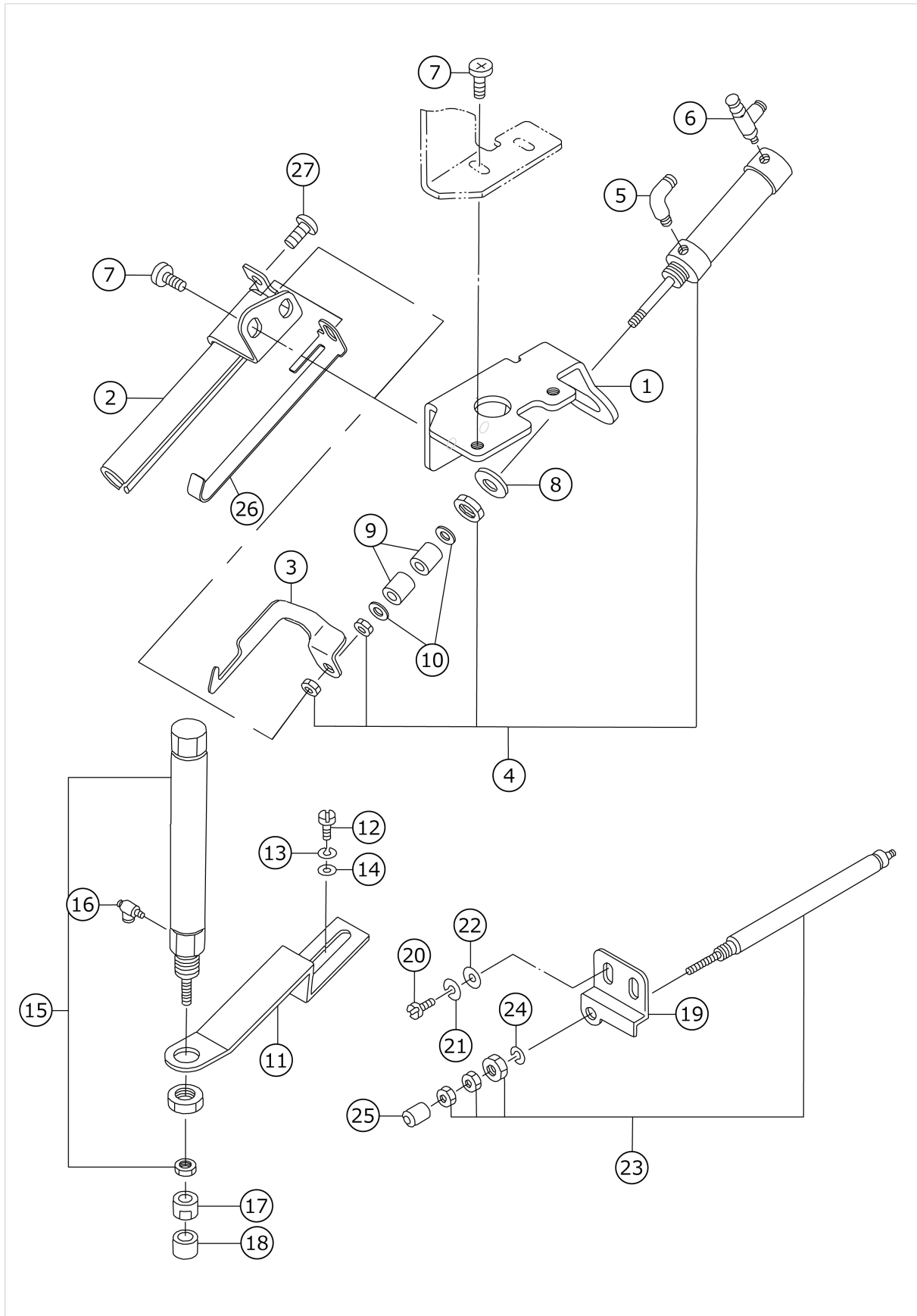
51	17842352	ENCODER ASM.				1.00
52	E8760452H00	TUBE		*		0.10
53	HX00088000A	TUBE A (10)		*		0.30
54	HA002890000	SWITCH		*		1.00
55	HW000660050	CORD 5 CORE		*		2.50
56	HK024910050	5P HOUSING		*		1.00
57	HK032040000	PIN TERMINAL		*		5.00
58	E8760452B00	TUBE		*		0.10
59	EA9500B0100	CABLE BAND				1.00
60	25008426	STUD				1.00
61	25008509	CYLINDER BASE				1.00
62	SM6041402TN	SCREW M4X0.7 L=14				1.00
63	WP0430800SC	WASHER M4				1.00
64	WS0410002KN	SPRING WASHER				1.00
65	PA100152300	CYLINDER				1.00
66	SS8080310TP	SCREW 1/8-44 L=2.8				2.00
67	PJ010505001	JOINT				1.00
68	PJ309040501	ELBOW UNION				1.00
69	SS7080510SP	SCREW 1/8-44 L= 4.5				1.00
70	WP0350516SD	WASHER 3.5X6X0.5				1.00

# TANG COMPONENTS



No.	品番	品名	備考	子部品	消耗品	個数
1	25006602	TANG (4-HOLED BUTTON)				1.00
2	SS6110610TP	SCREW 11/64-40 L=6				2.00
3	17823550	TANG INSTALLING PLATE ASM.				1.00
4	17823709	TANG KNOB				1.00
5	17822800	TANG ARM				1.00
6	SS6121212TP	SCREW 3/16-28 L=12.0				2.00
7	CS1000811SP	THRUST COLLAR				4.00
8	SS8110520TP	SCREW 11/64-40 L= 4.5				8.00
9	17824103	SHAFT				1.00
10	HX00150000A	CABLE CLAMP				1.00
11	SS7120640SP	SCREW 3/16-28 L=6				1.00
12	17822909	TANG TURH ARM				1.00
13	17823006	BOSS				1.00
14	SM6040602TP	SCREW M4 L=6				2.00
15	17823105	PLATE				1.00
16	SM6051202TP	SCREW M5X0.8 L=12				1.00
17	17824202	PIN				1.00
18	17824004	SPRING				1.00
19	17824400	KNOB				1.00
20	NM6060001SC	NUT M6				1.00
21	PS0200082KH	SPRING PIN				1.00
22	PA1503007A0	WORKPIECE PRESSER CYLINDER				1.00
23	17824608	LIHK BALL				1.00
24	NM6050001SC	NUT M5				1.00
25	PC010507000	SPEED CONTROLLER				2.00
26	PX500043000	BAND				1.00
27	17966359	TANG(2-HOLED BUTTON)ASM.				1.00
28	17966300	TANG		*		1.00
29	17823550	TANG INSTALLING PLATE ASM.		*		1.00
30	SS6110610TP	SCREW 11/64-40 L=6		*		2.00
31	25006750	TANG ASM. (FOR LIGHT FABLIC)				1.00
32	25006701	TANG (FOR LIGHT FABLIC)		*		1.00
33	25006800	THREAD PRESSER		*		1.00
34	25006909	THREAD PRESSER COVER		*		1.00
35	25007006	CYLINDER BRACKET		*		1.00
36	25007105	CYLINDER COVER		*		1.00
37	SS6080320SP	SCREW 1/8-44 L= 2.5		*		8.00
38	PA0401001A0	CYLINDER		*		1.00
39	BT0400251EB	URETHANE HOSE, BLACK		*		0.30
40	18036004	WIRE MARK		*		2.00
41	17823550	TANG INSTALLING PLATE ASM.		*		1.00
42	SS6110610TP	SCREW 11/64-40 L=6		*		2.00
43	PJ304040001	ELBOW				1.00
44	EA9500B0100	CABLE BAND				2.00

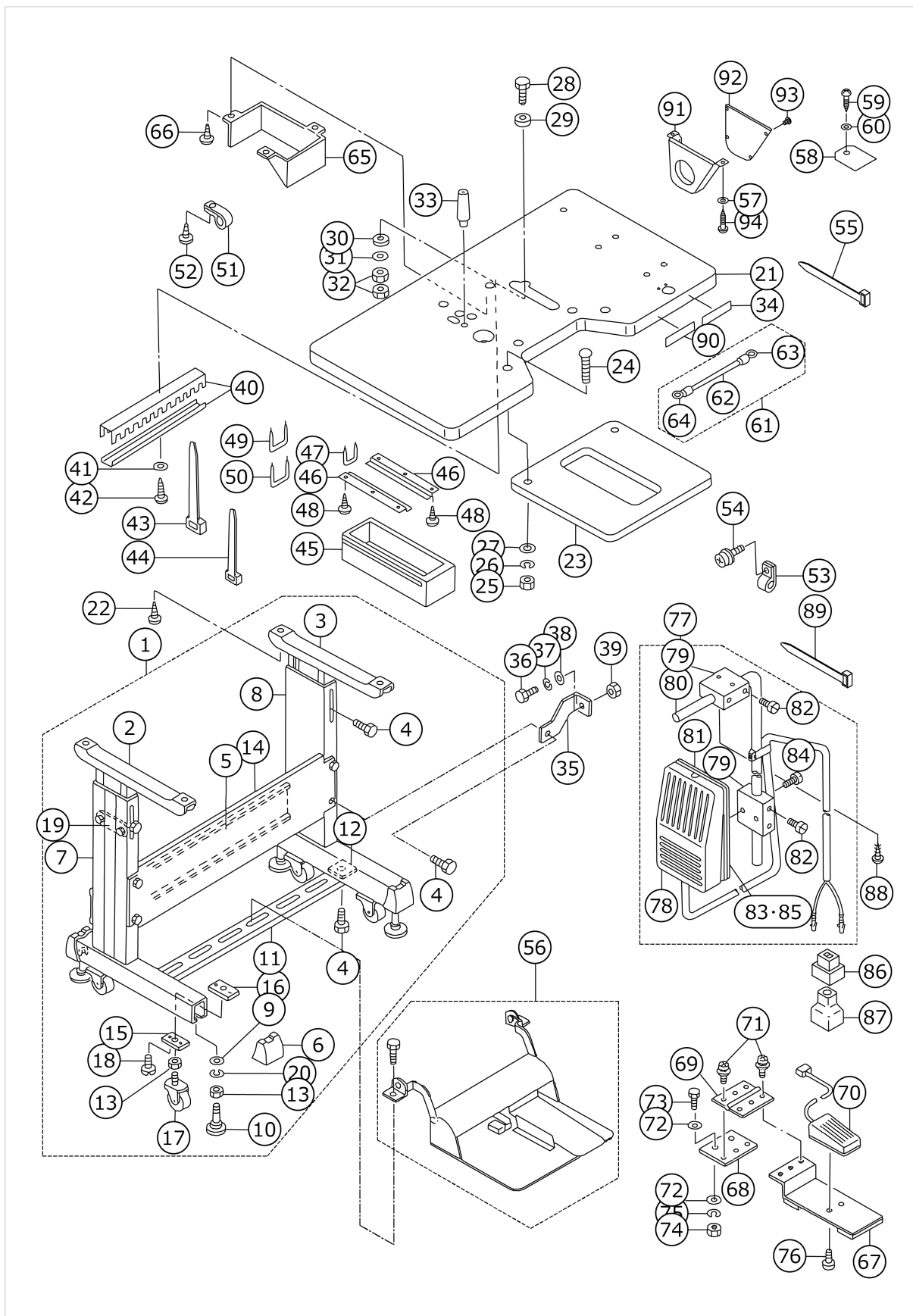
# WIPER & PRESSER COMPONENTS



No.	品番	品名	備考	子部品	消耗品	個数
1	25003302	WIPER INSTALLING PLATE				1.00
2	17826603	SUPPORT PIPE				1.00
3	25003401	WIPER				1.00
4	PA1008003A0	CYLINDER				1.00
5	PJ304040504	ELBOW UNION				1.00
6	PC010507000	SPEED CONTROLLER				1.00
7	SL4040891SC	SCREW M4 L=8				4.00
8	WP0841600SE	WASHER 8,4X15,5X1,6				1.00
9	17967308	CYLINDER STOPPER				2.00
10	WP0430800SC	WASHER M4				2.00
11	17967209	CYLINDER BRACKET				1.00
12	SM6051602TR	SCREW M5 L=16				2.00
13	WS0510002KN	SPRING WASHER				2.00
14	WP0560860SE	WASHER 5.6X12X0.8				2.00
15	PA1005501A0	CYLINDER				1.00
16	PC010507000	SPEED CONTROLLER				2.00
17	17817206	SHAFT				1.00
18	11503505	RUBBER CUSHION				1.00
19	25006008	CYLINDER BRACKET				1.00
20	SM9041050SC	SCREW M4X0.7 L=10				2.00
21	WS0410002KN	SPRING WASHER				2.00
22	WP0430800SC	WASHER M4				2.00
23	PA0502401A0	CYLINDER				1.00
24	WS0510002KP	SPRING WASHER 5.1X9.2X1.3				1.00
25	17968009	BUTTON PUSHER				1.00
26	17826504	SPRING				1.00
27	SS4110615SP	SCREW 11/64-40 L=6				1.00



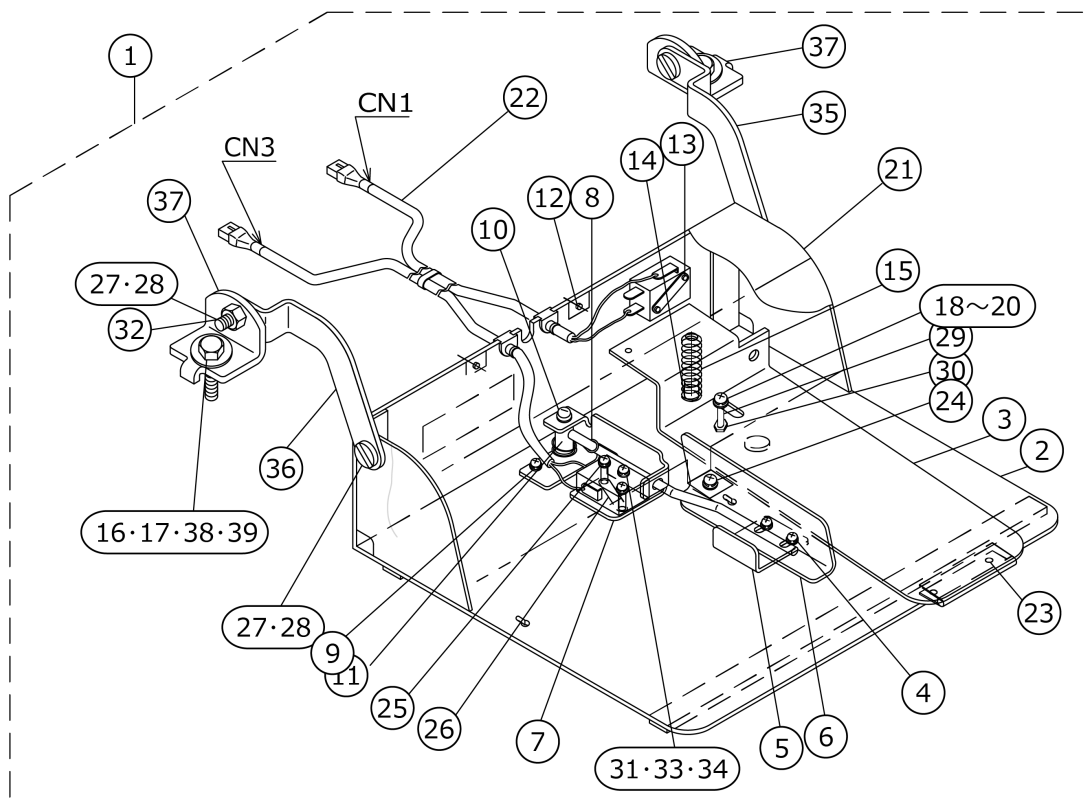
# STAND & TABLE COMPONENTS



No.	品番	品名	備考	子部品	消耗品	個数
1	17832858	T-STAND UNIT				1.00
2	11157757	STAND UPPER, LEFT		*		1.00
3	11157658	STAND UPPER, RIGHT		*		1.00
4	SL9082093SE	SCREW		*		16.00
5	11158300	STAND SIDE SUPPORT		*		1.00
6	11158607	RUBBER CAP		*		4.00
7	17833054	STAND ASM., LEFT		*		1.00
8	17832957	STAND ASM., RIGHT		*		1.00
9	WP1302501SE	WASHER M12		*		8.00
10	17833658	ADJUSTING BOLT ASM.		*		4.00
11	11158409	STAND SIDE SUPPORT		*		1.00
12	17007402	NUT		*		2.00
13	NM6120003SE	NUT M12		*		4.00
14	17833104	STAND SIDE		*		1.00
15	17833302	CASTER PLATE A		*		4.00
16	17833401	CASTER PLATE B		*		4.00
17	17833500	CASTER		*		4.00
18	SM6061202TP	SCREW M6 L=12		*		8.00
19	11158508	PLATE		*		2.00
20	WS1220002KR	SPRING WASHER, M12		*		4.00
21	25012501	TABLE				1.00
22	SK3513200SC	WOOD SCREW D=5.1 L=32				4.00
23	17971805	AUXILIARY TABLE				1.00
24	MTJMS000030	SCREW				2.00
25	NS6200710SN	NUT 5/16-18				2.00
26	WS0820002KN	SPRING WASHER M8				2.00
27	WP0851846SC	WASHER 8.5X22.0X1.8				2.00
28	17835000	SCREW				4.00
29	17835109	CUSHION A				4.00
30	17835307	CUSHION B				4.00
31	WP0612056SD	WASHER 6.1X18.5X2				4.00
32	NM6060001SC	NUT M6				8.00
33	11280856	FRAME SUPPORT BAR ASM.				1.00
34	25338807	NAME PLATE				1.00
35	17833203	BOX SUPPORT PLATE				1.00
36	SM9061403SC	SCREW M6 L=14				2.00
37	WS0610002KN	SPRING WASHER 6.1X12.2X1.5				2.00
38	WP0641600SC	WASHER 6.4X12.5X1.6				2.00
39	NM6060001SC	NUT M6				2.00
40	HX000130000	CONDUIT				0.50
41	WP0560860SE	WASHER 5.6X12X0.8				2.00
42	SK3452500SC	WOOD SCREW D=4.5 L=25				2.00
43	HX00065000B	CABLE BAND				2.00
44	EA9500B0200	CABLE BAND 150				1.00
45	11155108	DRAWER				1.00
46	11155207	DRAWER SUPPORT				2.00
47	D8204555D00	DRAWER STOPPER				1.00
48	SK3311600SC	WOOD SCREW D=3.1 L=16				6.00
49	D8204555D00	DRAWER STOPPER				3.00
50	MAO11532000	CORD STAPLE				6.00

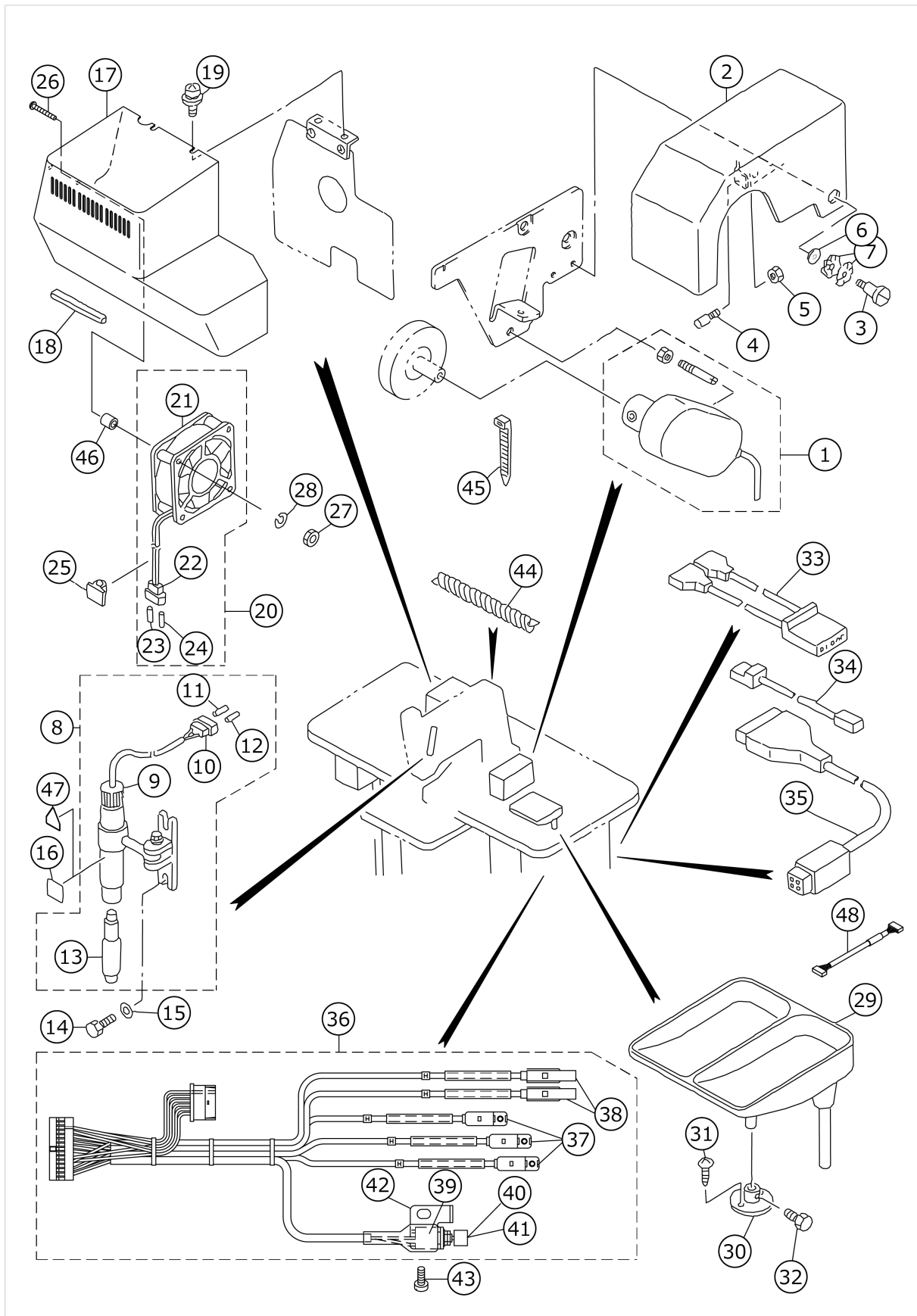
51	HX00150000R	CABLE CLAMP				1.00
52	SK3452500SC	WOOD SCREW D=4.5 L=25				1.00
53	HX00150000A	CABLE CLAMP				1.00
54	SL4040891SC	SCREW M4 L=8				1.00
55	EA9500B0100	CABLE BAND				1.00
56	GPK620010B0	2-JOINT PEDAL ASM.				1.00
57	WP0561616SC	WASHER 5.6X16X1.6	FOR JE			2.00
58	25014903	BELT COVER				1.00
59	SK3311600SC	WOOD SCREW D=3.1 L=16				1.00
60	WP0430801SC	WASHER 4.3X9X0.8				1.00
61	25018953	GROUND WIRE ASM.				1.00
62	E9561351000	CROUNDING CORD, GREEN YELLOW		*		0.80
63	EA9564B0100	CRIMP STYLE TERMINAL		*		1.00
64	EA9564B0300	SOLDERLESS TERMINAL		*		1.00
65	17836404	BELT COVER	FOR EXPORT			1.00
66	SK3452500SC	WOOD SCREW D=4.5 L=25	FOR EXPORT			3.00
67	17833955	SWITCH PLATE ASM.	SELECTIV PART			1.00
68	17833807	STAND INSTALLING PLATE	SELECTIV PART			1.00
69	16258402	HINGE	SELECTIV PART			1.00
70	16115354	SPEED CONTROL SWITCH ASM.	SELECTIV PART			1.00
71	SL4040891SC	SCREW M4 L=8	SELECTIV PART			6.00
72	WP0871602SE	WASHER 8.7X18X1.6	SELECTIV PART			4.00
73	SM9082023SE	SCREW M8 L=20	SELECTIV PART			2.00
74	NM6080721SE	NUT M8	SELECTIV PART			2.00
75	WS0861410KR	SPRING WASHER 8.6X15X1.4	SELECTIV PART			2.00
76	SS4110615SP	SCREW 11/64-40 L=6	SELECTIV PART			2.00
77	GAK320010B0	LIFTER KNEE SWITCH ASM. B	SELECTIV PART			1.00
78	GAK320010A0	LIFTER KNEE SWITCH ASM. A		*		1.00
79	MAT80230T00	KNEE SWITCH SUPPORT BASE		*		2.00
80	MAT80231T00	DRIVING BAR, T002		*		1.00
81	MAT80232T00	KNEE SWITCH SUPPORT PLATE		*		1.00
82	SS6151220SP	SCREW 15/64-28 L=11.5		*		4.00
83	SS7110710SL	SCREW 11/64-40 L=7.0		*		4.00
84	SS7111410SP	SCREW 11/64-40 L=14		*		2.00
85	WP0480856SP	WASHER 4.8X8.4X0.8		*		4.00
86	MAI15040000	2-POLE PLUG	SELECTIV PART			1.00
87	MAT81126T00	2-POLE PLUG COVER	SELECTIV PART			1.00
88	SK3514000SC	WOOD SCREW D=5.1 L=40	SELECTIV PART			2.00
89	EA9500B0100	CABLE BAND	SELECTIV PART			2.00
90	CM500100001	CE MARKING LABEL	FOR JE			1.00
91	B821021000B	MOTOR PULLEY COVER (A)	FOR JE			1.00
92	B821121000B	MOTOR PULLEY COVER (B)	FOR JE			1.00
93	SL4040691SC	SCREW M4 L=6	FOR JE			6.00
94	SK3552500SC	WOOD SCREW D=5.5 L=25	FOR JE			2.00

## 2-JOINT PEDAL COMPONENTS



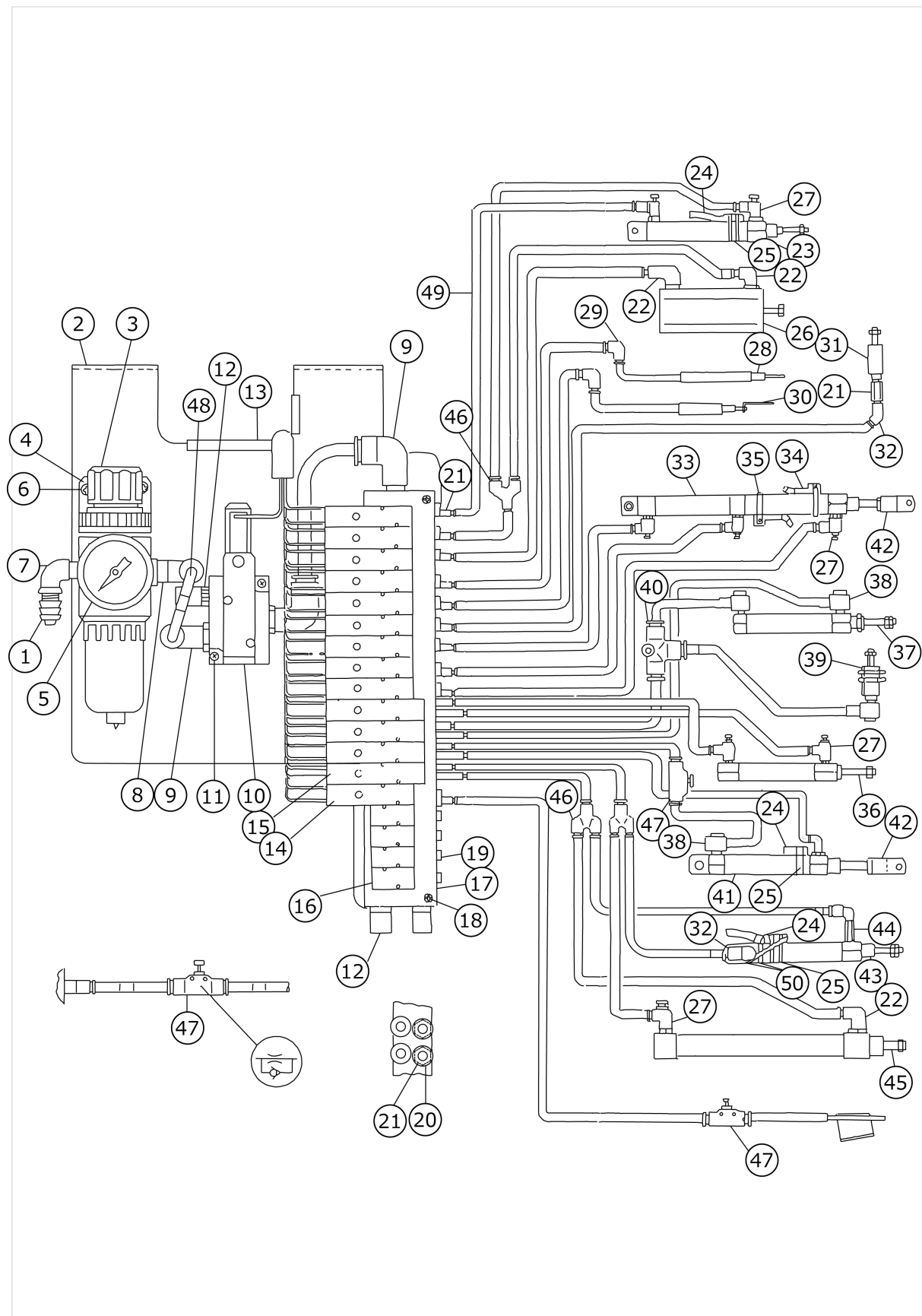
No.	品番	品名	備考	子部品	消耗品	個数
1	GPK620010B0	2-JOINT PEDAL ASM.				1.00
2	GPK620010A0	PEDAL BASE ASM.		*		1.00
3	GPK260030AA	PEDAL		*		1.00
4	SL4040891SC	SCREW M4 L=8		*		2.00
5	GPK2600800A	THREAD CUTTER SWITCH STOPPER,W		*		1.00
6	GPK2600700A	THREAD CUTTER SWITCH LEVER, W		*		1.00
7	GPK26009000	SWITCH BASE		*		1.00
8	GPK26011000	SWITCH SPRING		*		1.00
9	SL4040891SC	SCREW M4 L=8		*		1.00
10	SS4111215SP	SCREW 11/64-40 L=12		*		1.00
11	GPK26010000	SWITCH SHAFT		*		1.00
12	SL4040691SC	SCREW M4 L=6		*		3.00
13	SL4031691SC	SCREW M3 L=16		*		2.00
14	11102308	MICRO SWITCH PLATE		*		1.00
15	GPK14013000	PEDAL SPRING		*		1.00
16	WS0861410KR	SPRING WASHER 8.6X15X1.4		*		2.00
17	NM6080721SE	NUT M8		*		2.00
18	SL4042591SC	SCREW M4 L=25		*		1.00
19	GHP03537000	WASHER		*		1.00
20	WP0430801SC	WASHER 4.3X9X0.8		*		1.00
21	GPK62002000	SWITCH COVER		*		1.00
22	GPK620030B0	SWITCH CABLE ASM.		*		1.00
23	SL4030691SC	SCREW M3X6		*		2.00
24	WP0430801SC	WASHER 4.3X9X0.8		*		1.00
25	SL4031691SC	SCREW M3 L=16		*		2.00
26	11102308	MICRO SWITCH PLATE		*		1.00
27	SM9081620SE	SCREW M8 L=16		*		4.00
28	NM6080002SE	NUT M8		*		4.00
29	GPK26026000	SWITCH PEDAL GUIDE COLLAR		*		1.00
30	NM6040003SC	NUT M4		*		1.00
31	SM4041201SC	SCREW M4 L=12		*		1.00
32	GPK26022000	JOINT FITTING COLLAR		*		4.00
33	NM6040003SC	NUT M4		*		1.00
34	GPK26028000	SWITCH BASE COLLAR		*		1.00
35	GPK1800600AA	PEDAL BASE JOINT, RIGHT		*		1.00
36	GPK1800700AA	PEDAL BASE JOINT, LEFT		*		1.00
37	11159001	PEDAL SHAFT BRACKET		*		2.00
38	SM9082023SE	SCREW M8 L=20		*		2.00
39	WP0871602SE	WASHER 8.7X18X1.6		*		4.00

# MISCELLANEOUS COVER & CORD COMPONENTS



No.	品番	品名	備考	子部品	消耗品	個数
1	25019365	CYNCHRONIZER ASM.				1.00
2	17836206	HAND WHEEL COVER				1.00
3	SD0791051SP	HINGE SCREW D= 7.94 H=10.5				1.00
4	B1120372000	SCREW STUD				1.00
5	NS6150430SP	NUT 15/64-28				1.00
6	WP08416000E	WASHER 8.4X15.5X1.6				1.00
7	WZ0850302K0	WAVED WASHER 8.5X12.5X0.3				2.00
8	17841958	MARKING LIGHT ASM.				1.00
9	HE000150000	LIGHT		*		1.00
10	MAI15040000	2-POLE PLUG		*		1.00
11	D6042555B00	PIN TERMINAL, FEMALE		*		1.00
12	D6043555B00	PIN TERMINAL, MALE		*		1.00
13	16450702	MARKING LAMP		*		1.00
14	SM9061403SC	SCREW M6 L=14				2.00
15	WP0611626SP	WASHER 15X6X1.6				2.00
16	17836305	LABEL	FOR EXPORT			1.00
17	25012600	X-Y COVER				1.00
18	HX002230000	ADJUSTABLE BUSH				0.13
19	SL4051091SC	SCREW M5X0.8 L=10				4.00
20	17842055	MOTOR PAN ASM.				1.00
21	HM000550000	FAN		*		1.00
22	MAI15040000	2-POLE PLUG		*		1.00
23	D6043555B00	PIN TERMINAL, MALE		*		1.00
24	D6042555B00	PIN TERMINAL, FEMALE		*		1.00
25	HX002350000	CABLE CLAMP				1.00
26	SM4043601SN	SCREW M4X0.7 L=36				2.00
27	NM6040001SC	NUT M4				2.00
28	WS0410002KN	SPRING WASHER				2.00
29	17848458	BUTTON TRAY ASM.				1.00
30	17848508	BUTTON TRAY BASE				1.00
31	SK3412000SC	WOOD SCREW D=4.1 L=20				2.00
32	SS9151210TP	SCREW 15/64-28 L=11.8				1.00
33	M85305110A0	PULSE MOTOR CORD ASM.				1.00
34	17978453	MOTOR FAN CORD ASM.				1.00
35	M85225110A0	CLUTCH BRAKE CORD ASM.				1.00
36	25013251	CYLINDER SENSOR ASM.				1.00
37	PX060003000	AUTO SWITCH		*		3.00
38	PX060010000	AUTO-SWITCH		*		2.00
39	HA002470000	PUSH SWITCH		*		1.00
40	HA00247001A	SWITCH PARTS		*		1.00
41	HA00247001B	SWITCH PARTS	FOR JE	*		1.00
42	25013202	PLATE		*		1.00
43	SS6111010SP	SCREW 11/64-40 L= 9.5				1.00
44	HX001890000	SPIRAL TUBE				0.20
45	EA9500B0100	CABLE BAND				3.00
46	11528809	WASHER				2.00
47	CM300500001	SEAL	FOR DOMESTIC USE			1.00
48	25339052	ACTUATOR CABLE ASM.				1.00

# PNEUMATIC COMPONENTS

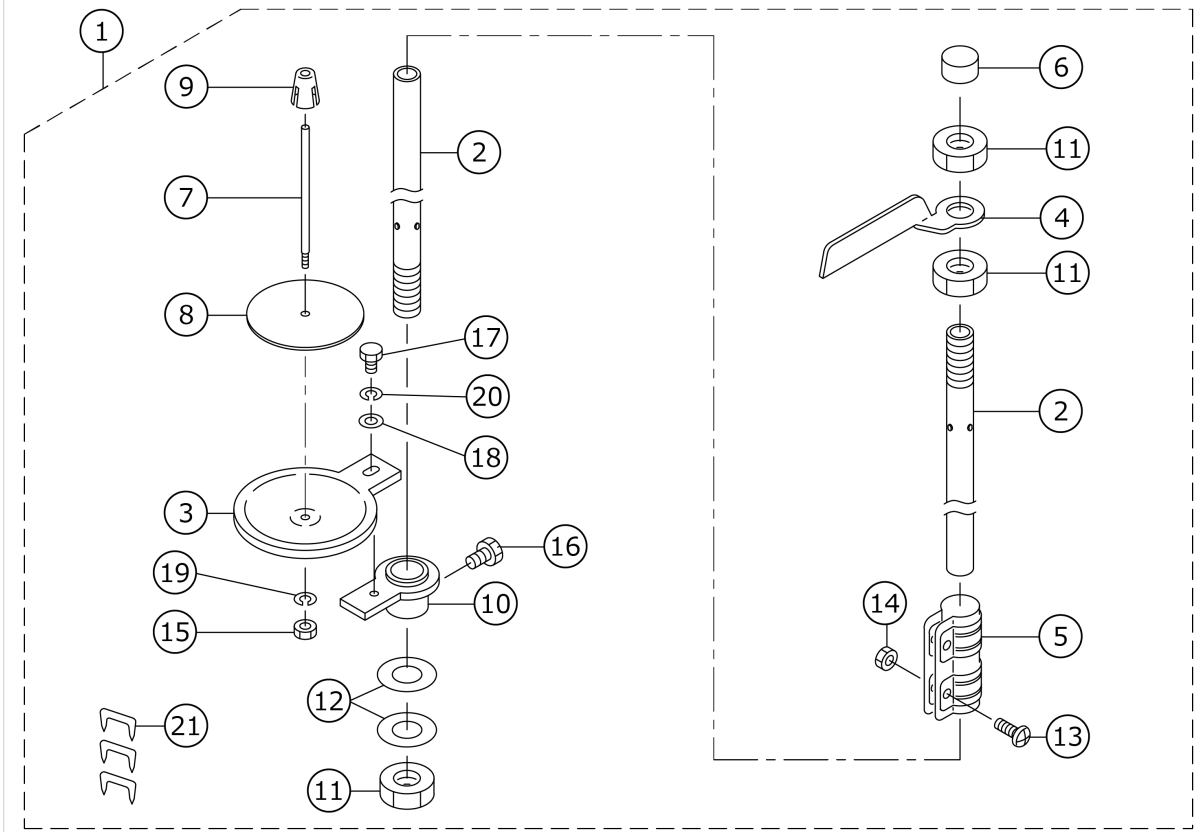




No.	品番	品名	備考	子部品	消耗品	個数
1	F1021003000	HOSE JOINT				1.00
2	17839507	PANEL				1.00
3	PF025204000	FILTER REGULTOR				1.00
4	PF905003000	BRACKET				1.00
5	PF065102000	PRESSURE GAUGE				1.00
6	SL4040891SC	SCREW M4 L=8				2.00
7	PJ042520002	ELBOW				1.00
8	PJ304065201	ELBOW UNION 6XPT1/4				1.00
9	PJ304065101	ELBOW UNION 6XPT1/8				3.00
10	PV135113000	SOLENOID VALVE				1.00
11	SL4043091SC	SCREW M4 L=30				2.00
12	PX055103000	SILENCER				3.00
13	HX00223000A	BUSHING				0.10
14	PV130517000	SOLENOID VALVE				10.00
15	PV150517000	SOLENOID VALVE				4.00
16	17972357	BLANKING PLATE				4.00
17	PV030514000	MANIFOLD				1.00
18	SL4043091SC	SCREW M4 L=30				2.00
19	PJ020500002	PLUG				18.00
20	PJ301040505	HALF UNION				18.00
21	PJ010505001	JOINT				5.00
22	PJ304040504	ELBOW UNION				3.00
23	PA1503007A0	WORKPIECE PRESSER CYLINDER				1.00
24	PX060003000	AUTO SWITCH				3.00
25	PX500043000	BAND				3.00
26	PA0601505A0	CYLINDER				1.00
27	PC010507000	SPEED CONTROLLER				8.00
28	PA0502401A0	CYLINDER				1.00
29	PJ304040001	ELBOW				2.00
30	PA0401001A0	CYLINDER				1.00
31	PA100152300	CYLINDER				1.00
32	PJ309040501	ELBOW UNION				2.00
33	PA1603101A0	AIR CYLINDER				1.00
34	PX060010000	AUTO-SWITCH				2.00
35	PX5000480A0	SWITCH FITTING METAL				2.00
36	PA1005501A0	CYLINDER				1.00
37	PA1003012A0	CYLINDER				1.00
38	PJ042050002	ELBOW				4.00
39	PA1000506A0	CYLINDER				1.00
40	PJ305040001	TEE UNION				1.00
41	PA1501009A0	CYLINDER				1.00
42	PX500020000	KNUCKLE JOINT				2.00
43	PA1504001A0	CYLINDER				1.00
44	PJ304040507	LONG ELBOW UNION				1.00
45	PA1008003A0	CYLINDER				1.00
46	PJ308040002	QUICK COUPLING				3.00
47	PC012401000	SPEED CONTROLLER				2.00
48	BT0600401EB	TUBE				0.20
49	BT0400251EB	URETHANE HOSE, BLACK				26.50
50	EA9500B0200	CABLE BAND 150				2.00

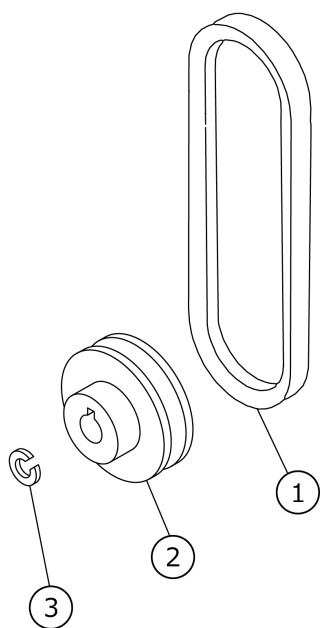


# THREAD STAND COMPONENTS



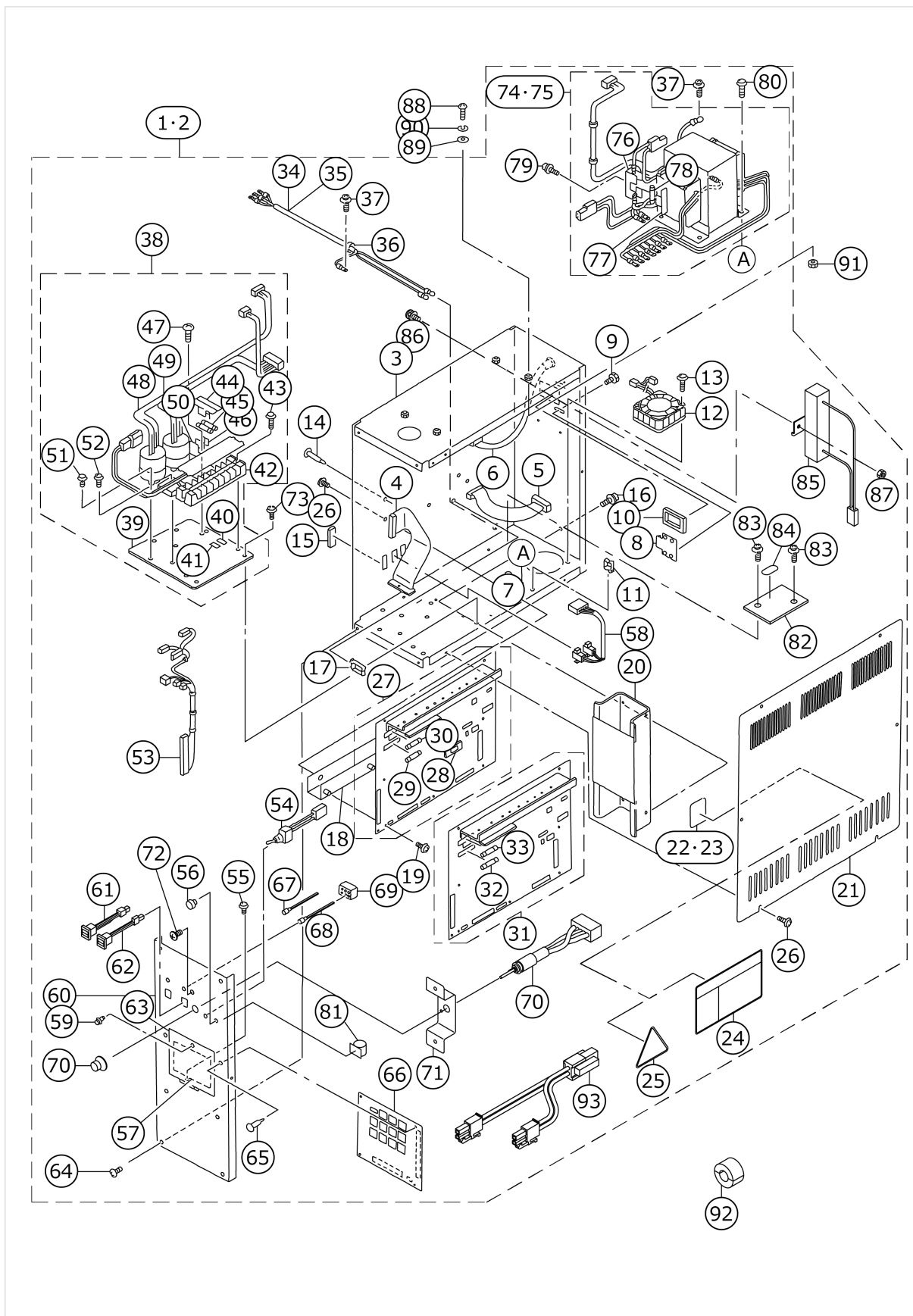
No.	品番	品名	備考	子部品	消耗品	個数
1	B33011800AA	THREAD STAND ASM.				1.00
2	11185105	SPOOL REST ROD,LOWER		*		2.00
3	B3303180000	SPOOL REST		*		1.00
4	B3307704000	THREAD GUIDE A		*		1.00
5	B3305704000A	SPOOL REST ROD JOINT		*		1.00
6	B3311704000	SPOOL REST ROD CAP		*		1.00
7	B3320704L00A	SPOOL PIN		*		1.00
8	B3311012000	SPOOL REST CUSHION		*		1.00
9	11185501	SPOOL RETAINER		*		1.00
10	D3302772T00	SPOOL REST BRACKET		*		1.00
11	B3317704000	NUT		*		3.00
12	WP1612616SE	WASHER 16X30X2.6		*		2.00
13	SM4051405SE	SCREW M5 L=14		*		2.00
14	NM6050001SE	NUT M5		*		2.00
15	NM6050001SE	NUT M5		*		1.00
16	SM9061080SE	SCREW M6 L=10		*		1.00
17	SM9050813SE	SCREW M5X0.8 L=8		*		1.00
18	WP0520656SA	WASHER 5.2X9.5X0.6		*		1.00
19	WS0510002KN	SPRING WASHER		*		1.00
20	WS0521010KN	SPRING WASHER 5.2X8.2X1		*		1.00
21	MAO11532000	CORD STAPLE		*		3.00

# MOTOR PULLEY COMPONENTS



No.	品番	品名	備考	子部品	消耗品	個数
1	MTJVM003500	V-BELT, 35 INCH				1.00
2	MTSP0055000A	MOTOR PULLEY				1.00
3	WS1002560KR	SPRING WASHER 10X18X2.5				1.00

# CONTROL BOX COMPONENTS

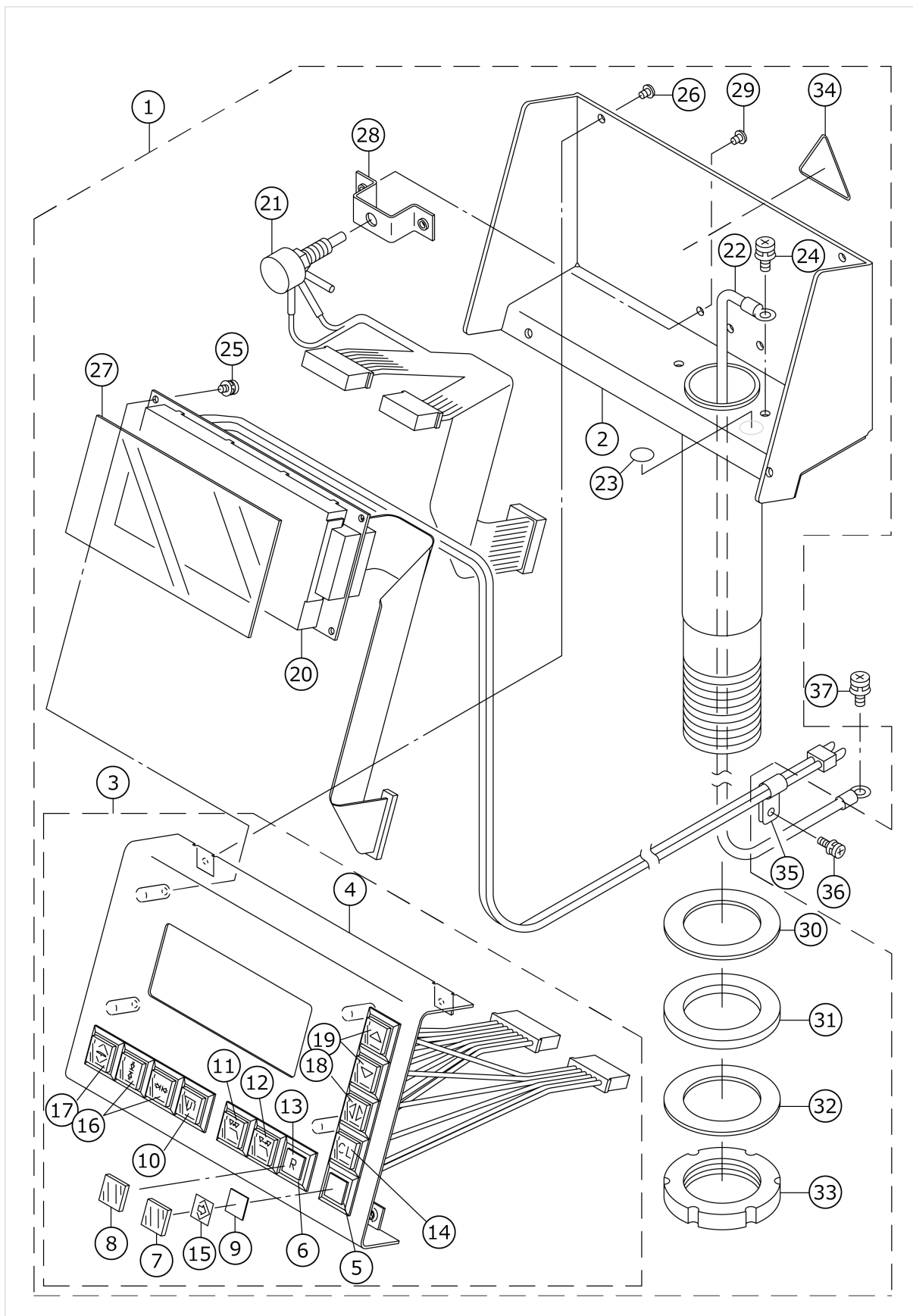


No.	品番	品名	備考	子部品	消耗品	個数
1	25339151	CONTROL BOX A ASM.	FOR 100,110,12 0,200,220,240V			1.00
2	25340050	CONTROL BOX B ASM.	FOR 220,240,380,415,440V			1.00
3	G1001192000	CONTROL BOX FRAME BODY		*		1.00
4	17840455	PANEL SIGNALING CORD ASM.		*		1.00
5	M85215110A0	PMDC CORD ASM.		*		1.00
6	M85235110A0	SYNCHRONIZER CORD ASM.		*		1.00
7	E9567319000	EARTH MARK		*		1.00
8	17845009	CORD FITTING PLATE		*		1.00
9	SM9040803SF	SCREW M4X8		*		2.00
10	HX004070000	BUSH		*		1.00
11	HX00222000A	CABLE CLAMP		*		3.00
12	17977752	BOX FAN ASM.		*		1.00
13	SL4043291SC	SCREW M4X0.7 L=32		*		2.00
14	HX00408000A	BOARD PARTS		*		4.00
15	M3011110000	PLUG		*		1.00
16	SL4030891SC	SCREW M3X8		*		4.00
17	HX00222000B	CABLE CLAMP		*		2.00
18	M1002519000	CPU BOARD BRACKET		*		1.00
19	SL4030691SC	SCREW M3X6		*		3.00
20	M86025110A0	P.C BOARD ASM.		*		1.00
21	G10031920A0	CONTROL BOX COVER ASM.		*		1.00
22	M300551100A	SEAL A	FOR 100,110,12 0,200,220,240V	*		1.00
23	M300551100B	SEAL B	FOR 220,240,380,415,440V	*		1.00
24	CM300100101	DANGER LABEL (SMALL)	FOR DOMESITC USE	*		1.00
25	CM300100001	LABEL	FOR EXPORT	*		1.00
26	SL4041091SC	SCREW M4 L=10		*		8.00
27	25339359	CPU CIRCUIT BOARD COMPL.		*		1.00
28	HL010520178	IC		*		1.00
29	E9613601000	FUSE 2A		*		1.00
30	E9672452000	FUSE 3A		*		1.00
31	25015363	CPU CIRCUIT BOARD ASM.		*		1.00
32	E9613601000	FUSE 2A		*		1.00
33	E9672452000	FUSE 3A		*		1.00
34	17844754	AC POWER SOURCE CORD ASM.		*		1.00
35	25019050	AC POWER SOURCE CORD ASM.	FOR JE	*		1.00
36	HX004100000	BUSH		*		1.00
37	SL4040691SC	SCREW M4 L=6		*		2.00
38	M85195110A0	POWER PLATE ASM.		*		1.00
39	M1020511000	POWER PLATE		*		1.00
40	M952017100A	FUSE SEAL F1		*		1.00
41	M952017100B	FUSE SEAL F2		*		1.00
42	HK026650080	TERMINAL BASE 8P		*		1.00
43	SL4041081SC	SCREW M4 L=10		*		2.00
44	HF00511000B	FUSE HOLDER COVER		*		2.00
45	HF001400700	TIME LAG FUSE 7A		*		2.00



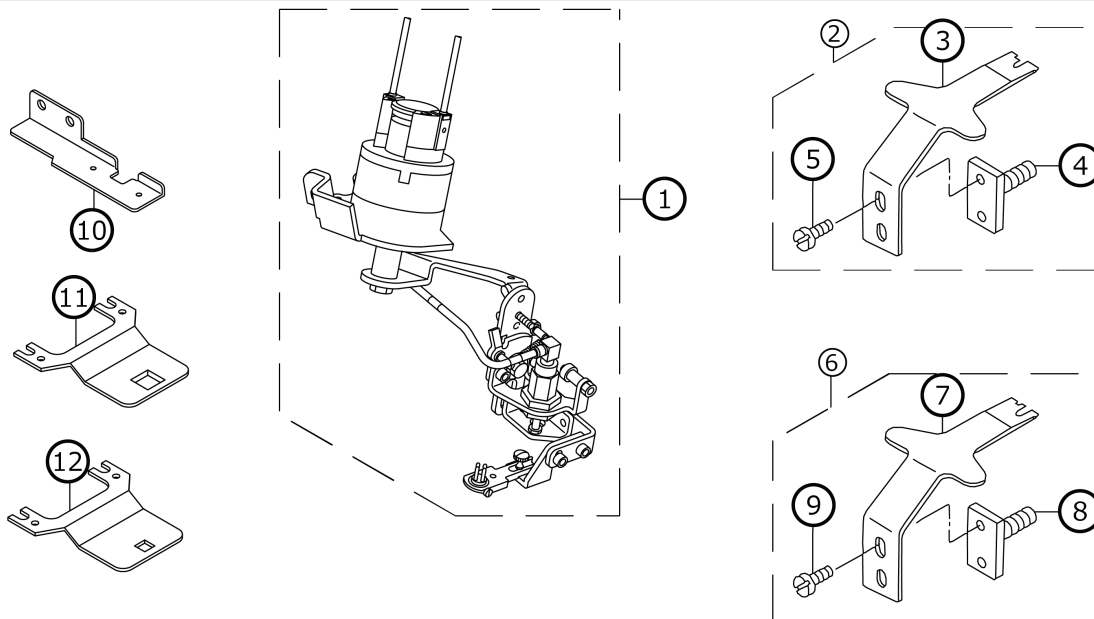
46	HF005111000	FUSE HOLDER		*		1.00
47	SL4031281SC	SCREW M3 L=12		*		2.00
48	M85255110A0	SOLENOID POWER SOURCE ASM.		*		1.00
49	M85265110A0	PMDC POWER SOURCE ASM.		*		1.00
50	HF00511100A	FUSE HOLDER		*		1.00
51	SL4030891SC	SCREW M3X8		*		4.00
52	SL4041691SC	SCREW M4 L=16		*		2.00
53	25015652	SWITCH CONNECTOR ASM.		*		1.00
54	17978057	SWITCH ASM.		*		1.00
55	SL4030691SC	SCREW M3X6		*		2.00
56	TA0750404R0	PLUG D=7.5 L=3.5		*		1.00
57	25340209	SEAL		*		1.00
58	25015553	CODE ASM.		*		1.00
59	M8808301000	NYLATCH		*		1.00
60	25339201	CONTROL BOX PANEL		*		1.00
61	17977950	SWITCH A ASM.		*		1.00
62	17841453	SWITCH ASM. B		*		1.00
63	17845108	PANEL COVER		*		1.00
64	SM0040601SC	SCREW M4X0.7 L=6		*		7.00
65	HX00269000D	SPACER		*		4.00
66	25015454	OPERATION CIRCUIT BOARD ASM.		*		1.00
67	17841156	LED (GREEN) ASM.		*		1.00
68	17841255	LED (ORANGE) ASM.		*		1.00
69	HK034610060	HOUSING 6P		*		1.00
70	25015751	SWITCH ASM.		*		1.00
71	25015801	SWITCH BRACKET		*		1.00
72	SM0030601SC	SCREW M3X0.5 L=6		*		2.00
73	SL4041091SC	SCREW M4 L=10		*		3.00
74	17840752	TRANSFORMER ASM. A	FOR 100,110,12 0,200,220,240V	*		1.00
75	17840851	TRANSFORMER ASM. B	FOR 220,240,380,415,440V	*		1.00
76	HF005111000	FUSE HOLDER		*		1.00
77	HF00511000B	FUSE HOLDER COVER		*		1.00
78	E9613601000	FUSE 2A		*		1.00
79	SL4041491SC	SCREW 4 X 14		*		1.00
80	SL4051091SC	SCREW M5X0.8 L=10		*		4.00
81	HX002350000	CABLE CLAMP		*		2.00
82	M1004519000	GROUND PLATE B	FOR JE	*		1.00
83	SL4041081SC	SCREW M4 L=10	FOR JE	*		2.00
84	CM200100001	PE MARK LABEL	FOR JE	*		1.00
85	M85064350A0	RADIATION RESISTANCE ASM.		*		1.00
86	SL4030891SC	SCREW M3X8		*		1.00
87	NM6030001SC	NUT M3		*		1.00
88	SM3065052TC	SCREW				4.00
89	WP0651001SC	WASHER				4.00
90	WS0610002KN	SPRING WASHER 6.1X12.2X1.5				4.00
91	NM6060001SC	NUT M6				4.00
92	HN001090000	CORE	FOR JE			2.00
93	25339458	SPM POWER SOURCE CABLE ASM.				1.00

# OPERATION BOX COMPONENTS



No.	品番	品名	備考	子部品	消耗品	個数
1	25339656	OPERATION BOX ASM.				1.00
2	25016254	OPERATION BOX ROD ASM.		*		1.00
3	25339755	OPERATION BOX FRONT COVER ASM.		*		1.00
4	25339805	OPERATION BOX FRONT COVER		*		1.00
5	HA00335000A	SWITCH		*		11.00
6	HA00335000B	SWITCH		*		1.00
7	HA003350030	SWITCH PARTS		*		11.00
8	HA00335003A	SWITCH PARTS		*		1.00
9	HA003350040	SWITCH PARTS		*		12.00
10	25016403	SHEET		*		1.00
11	25016502	SHEET		*		1.00
12	25016601	SHEET		*		1.00
13	25016700	SHEET		*		1.00
14	25016809	SHEET		*		1.00
15	25016908	SHEET		*		1.00
16	25017005	SHEET		*		2.00
17	25017104	SHEET		*		1.00
18	25017203	SHEET		*		1.00
19	25017302	SHEET		*		2.00
20	25017450	LCD ASM.		*		1.00
21	25017559	CONNECTOR ASM.		*		1.00
22	25017658	EARTH CABLE ASM.		*		1.00
23	E9567319000	EARTH MARK		*		1.00
24	SL4040891SC	SCREW M4 L=8		*		1.00
25	SL4030681SC	SCREW M3 L=6		*		4.00
26	SM5030501SC	SCREW M3 L=5		*		4.00
27	25017708	ACRYLIC PLATE		*		1.00
28	25017807	VOLUME INSTALLING PLATE		*		1.00
29	SM5030501SC	SCREW M3 L=5		*		2.00
30	M1075518000	WASHER		*		1.00
31	M1076510000	VIBRATION-PROOF RUBBER PAD		*		1.00
32	M1077510000	WASHER		*		1.00
33	M1078510000	NUT		*		1.00
34	CM300100001	LABEL		*		1.00
35	HX00150000A	CABLE CLAMP				2.00
36	SL4031091SC	SCREW M3 X 10				2.00
37	SL4040891SC	SCREW M4 L=8				1.00

# OPTION COMPONENTS

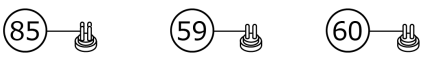
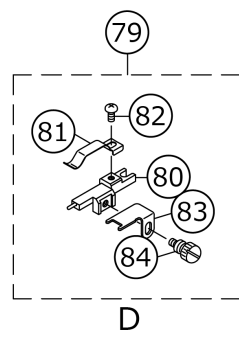
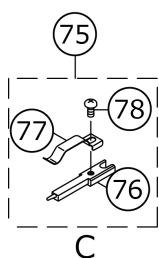
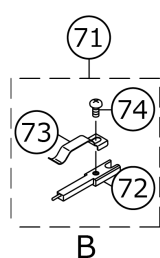
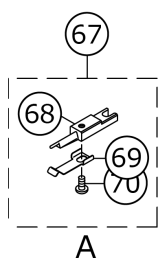
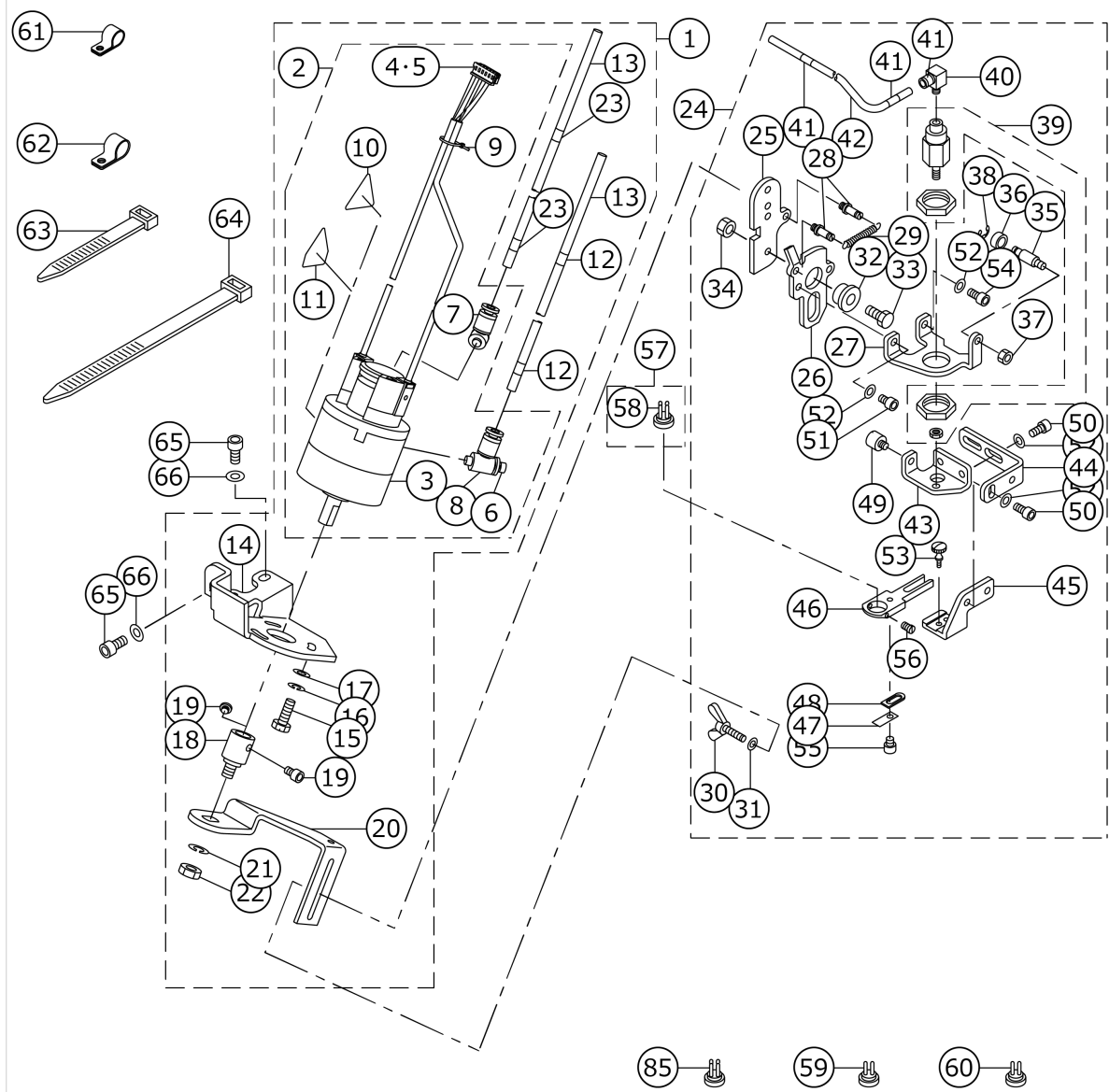


Button carrier(for 4-holed) ボタンキャリア (4つ穴用)											
1				2				3			
Mark 刻印	No	Part No. 品番	Size 寸法	Mark 刻印	No	Part No. 品番	Size 寸法	Mark 刻印	No	Part No. 品番	Size 寸法
A	(13)	17856600	a2.0 b1.0	D	(16)	17856907	a2.8 b1.2	K	(23)	17857608	a4.0 b1.4
B	(14)	17856709	a2.4 b1.2	E	(17)	17857004	a2.8 b1.4	K1	(24)	17857707	a4.0 b1.8
C	(15)	17856808	a2.6 b1.2	F	(18)	17857103	a3.0 b1.2	L	(25)	17857806	a5.0 b1.8
				F1	(19)	17857202	a3.0 b1.4				
				G	(20)	17857301	a3.2 b1.4				
				H	(21)	17857400	a3.4 b1.4				
				J	(22)	17857509	a3.6 b1.4				

Button carrier(for 2-holed) ボタンキャリア (2つ穴用)							
4				5			
Mark 刻印	No	Part No. 品番	Size 寸法	Mark 刻印	No	Part No. 品番	Size 寸法
M	(26)	17858002	a2.0 b1.0	U	(33)	17858705	a4.0 b1.4
N	(27)	17858101	a2.4 b1.2	V	(34)	17858804	a4.2 b1.4
P	(28)	17858200	a2.6 b1.2	W	(35)	17858903	a4.4 b1.4
Q	(29)	17858309	a2.8 b1.2	X	(36)	17859000	a4.6 b1.4
R	(30)	17858408	a3.0 b1.2	Y	(37)	17859109	a4.8 b1.4
S	(31)	17858507	a3.2 b1.4	Z	(38)	17859208	a5.0 b1.4
T	(32)	17858606	a3.4 b1.4				

No.	品番	品名	備考	子部品	消耗品	個数
1	25014069	LOADER ASM.				1.00
2	17966656	TANG ASM. (TRIANGLE 1.2MM)				1.00
3	17966607	TANG (TRIANGLE 1.2MM)		*		1.00
4	17823550	TANG INSTALLING PLATE ASM.		*		2.00
5	SS6110610TP	SCREW 11/64-40 L=6		*		2.00
6	17966458	TANG ASM. (TRIANGLE STITCH)				1.00
7	17966409	TANG (TRIANGLE STITCH)		*		1.00
8	17823550	TANG INSTALLING PLATE ASM.		*		1.00
9	SS6110610TP	SCREW 11/64-40 L=6		*		2.00
10	25005208	SUPPORT PLATE LOWER				1.00
11	17828906	SUPPORT PLATE LOWER (L BUTTON)				1.00
12	17829102	SUPPORT PLATE LOWER (S BUTTON)				1.00
13	17856600	BUTTON CARRIER				1.00
14	17856709	BUTTON CARRIER				1.00
15	17856808	BUTTON CARRIER				1.00
16	17856907	BUTTON CARRIER				1.00
17	17856907	BUTTON CARRIER	STANDARD TYPE			1.00
18	17857103	BUTTON CARRIER				1.00
19	17857202	BUTTON CARRIER				1.00
20	17857301	BUTTON CARRIER				1.00
21	17857400	BUTTON CARRIER	STANDARD TYPE			1.00
22	17857509	BUTTON CARRIER				1.00
23	17857608	BOTTON CARRIER				1.00
24	17857707	BOTTON CARRIER				1.00
25	17857806	BOTTON CARRIER				1.00
26	17858002	BOTTON CARRIER				1.00
27	17858101	BOTTON CARRIER				1.00
28	17858200	BOTTON CARRIER				1.00
29	17858309	BOTTON CARRIER				1.00
30	17858408	BOTTON CARRIER				1.00
31	17858507	BUTTON CARRIER				1.00
32	17858606	BUTTON CARRIER	STANDARD TYPE			1.00
33	17858705	BOTTON CARRIER				1.00
34	17858804	BUTTON CARRIER	STANDARD TYPE			1.00
35	17858903	BOTTON CARRIER				1.00
36	17859000	BOTTON CARRIER				1.00
37	17859109	BOTTON CARRIER				1.00
38	17859208	BOTTON CARRIER				1.00

# BUTTON LODER COMPONENTS (1)

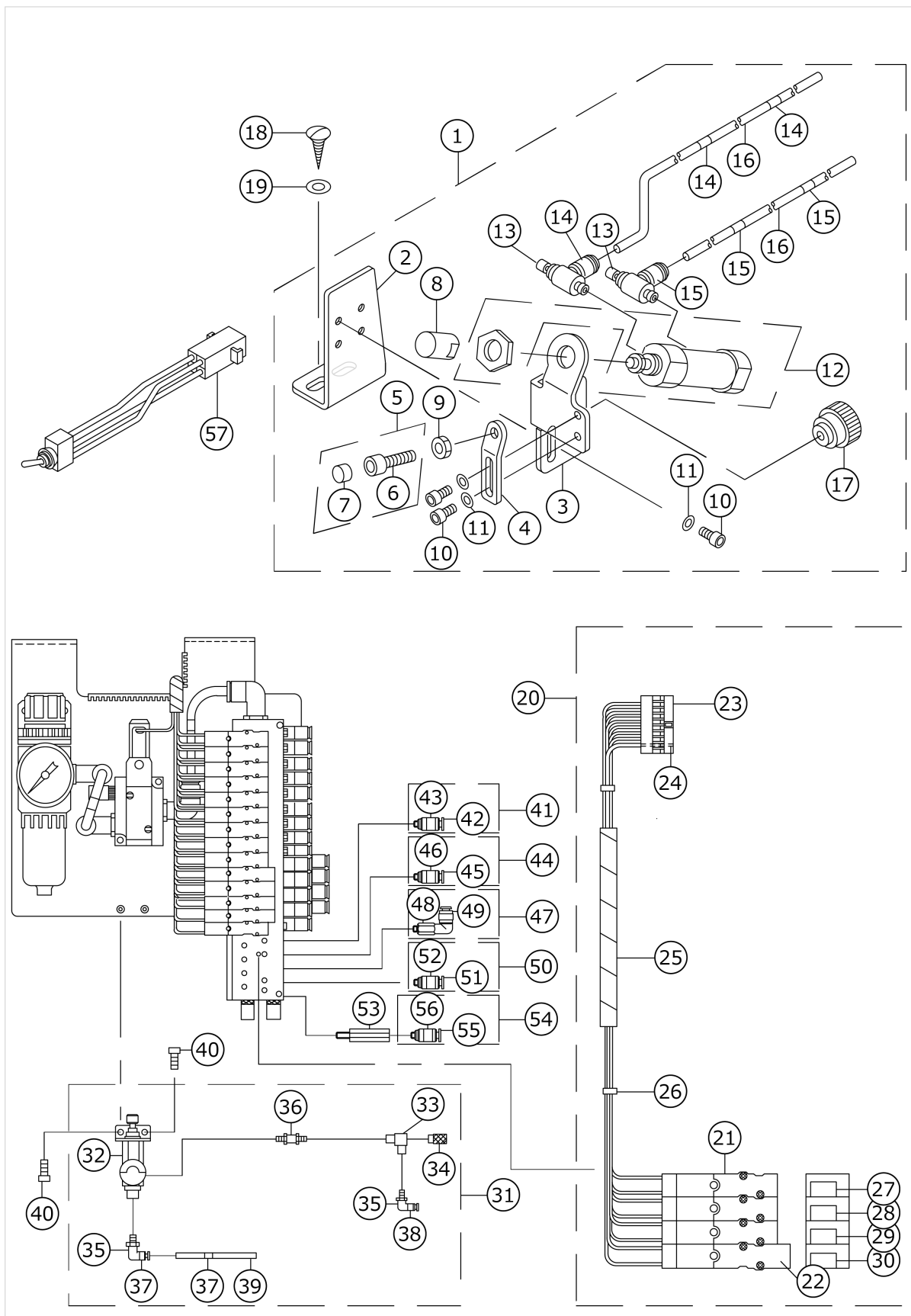


No.	品番	品名	備考	子部品	消耗品	個数
1	25014051	LOADER UNIT (A)				1.00
2	25014655	ROTARY ACTUATOR ASM.		*		1.00
3	PA8000140B0	ROTARY ACTUATOR		*		1.00
4	HK028910060	HOUSING 6P		*		1.00
5	HK029040000	PIN TERMINAL		*		6.00
6	PC010508000	SPEED CONTROLLER		*		2.00
7	18038208	WIRE MARK (33)		*		1.00
8	18038505	WIRE MARK (36)		*		1.00
9	EA9500B0100	CABLE BAND		*		1.00
10	CM300200003	ATTENTION LABEL	FOR EXPORT	*		1.00
11	CM3002000B3	LABEL,(31.5)	FOR DOMESTIC USE	*		1.00
12	18038505	WIRE MARK (36)		*		2.00
13	BT0400251EB	URETHANE HOSE, BLACK		*		3.40
14	25014002	LOADER CYLINDER FITTING PLATE		*		1.00
15	SM9051450SC	SCREW M5X0.8 L=14		*		3.00
16	WP0531000SC	WASHER 5.3X10X1		*		3.00
17	WS0510002KN	SPRING WASHER		*		3.00
18	17973108	LOADER LINK SHAFT		*		1.00
19	SM6040602TP	SCREW M4 L=6		*		2.00
20	25014101	LOADER LINK A		*		1.00
21	NM6060001SC	NUT M6		*		1.00
22	WS0610002KN	SPRING WASHER 6.1X12.2X1.5		*		1.00
23	18038208	WIRE MARK (33)		*		2.00
24	25014259	LOADER UNIT (B)				1.00
25	17850306	LOADER LINK B		*		1.00
26	17850405	LOADER LINK C		*		1.00
27	17850504	FITTING PLATE		*		1.00
28	17850603	SPRING PACK SHAFT		*		2.00
29	17850702	LOADER LINK SPRING		*		1.00
30	17974809	THUMBSCREW		*		1.00
31	WP0501046SC	WASHER 5 X 13 X 1		*		1.00
32	SB105001100	ROLL SHAFT HOLDER		*		1.00
33	SD0500356TP	STEP-SCREW		*		1.00
34	NM6050002SC	NUT M5		*		1.00
35	17850801	BEARING FITTING SHAFT		*		1.00
36	SB104000300	BUSHING		*		1.00
37	NM6040001SC	NUT M4		*		1.00
38	RE0300000K0	E-RING 3		*		1.00
39	PA1000506A0	CYLINDER		*		1.00
40	PJ046052503	HOSE ELBOW		*		1.00
41	18038109	WIRE MARK (32)		*		3.00
42	BT0400251EB	URETHANE HOSE, BLACK		*		2.00
43	17851007	LOADER LINK D		*		1.00
44	17851106	LOADER LINK E		*		1.00
45	25014200	LOADER LINK F		*		1.00
46	17851304	BUTTON CARRIER FITTING BASE		*		1.00
47	17851403	BUTTON CARPIER SPACER A		*		1.00
48	17851502	BUTTON CARPIER SPACER B		*		1.00
49	17850900	GUIDE SHAFT		*		1.00

50	SM6040802TR	SCREW M4X0.7 L=8		*		4.00
51	SM6040602TR	SCREW M4 L=6		*		1.00
52	WP0430801SC	WASHER 4.3X9X0.8		*		6.00
53	B2549372000	CLAMP SCREW A		*		1.00
54	SM6041202TR	SCREW M4 L=12		*		1.00
55	SM6030402TN	BOLT M3X4		*		1.00
56	SM6850350TP	FLAT SCREW		*		1.00
57	17857400	BUTTON CARRIER				1.00
58	GBR01155H00	SET PIN H		*		4.00
59	17858606	BUTTON CARRIER				1.00
60	17858804	BUTTON CARRIER				1.00
61	HX00150000G	CABLE CLIP				1.00
62	HX00150000K	CABLE CLIP				1.00
63	EA9500B0100	CABLE BAND				10.00
64	HX00065000B	CABLE BAND				3.00
65	SM6051002TR	SCREW M5 L=10				3.00
66	WP0531000SC	WASHER 5.3X10X1				3.00
67	17974056	BUTTON SET PIN A ASM.	FOR MARBLE BUTTON			1.00
68	17974007	BUTTON SET PIN A		*		1.00
69	17974106	SET SPRING A		*		1.00
70	SM4030401SC	SCREW M3X0.5 L=4		*		1.00
71	17974254	BUTTON SET PIN B ASM.	FOR SHANK BUTTON( 1.2 )			1.00
72	17974205	BUTTON SET PIN B		*		1.00
73	17974304	SET SPRING B		*		1.00
74	SM4030401SC	SCREW M3X0.5 L=4		*		1.00
75	17974452	BUTTON SET PIN C ASM.	FOR SHANK BUTTON( 1.8 )			1.00
76	17974403	BUTTON SET PIN C		*		1.00
77	17974304	SET SPRING B		*		1.00
78	SM4030401SC	SCREW M3X0.5 L=4		*		1.00
79	17974551	BUTTON SET PIN D ASM.	FOR METAL BUTTON			1.00
80	17974502	BUTTON SET PIN D		*		1.00
81	17974304	SET SPRING B		*		1.00
82	SM4030401SC	SCREW M3X0.5 L=4		*		1.00
83	17974601	BUTTON RECEIVER		*		1.00
84	B3106019000	SCREW		*		1.00
85	17857400	BUTTON CARRIER				1.00



# BUTTON LODER COMPONENTS (2)



No.	品番	品名	備考	子部品	消耗品	個数
1	25014556	LOADER STOPPER ASM.				1.00
2	25014507	BASE PLATE		*		1.00
3	17851718	CYLINDER FITTING PLATE		*		1.00
4	17851817	STOPPER CUSHION FITTING PLATE		*		1.00
5	17853656	CUSHION ASM.		*		1.00
6	17853607	STOPPER CUSHION HOLDER		*		1.00
7	B1516180000	BUSH		*		1.00
8	17852005	STOPPER		*		1.00
9	NM6050002SC	NUT M5		*		1.00
10	SM6040802TR	SCREW M4X0.7 L=8		*		4.00
11	WP0430801SC	WASHER 4.3X9X0.8		*		4.00
12	PA1601513A0	AIR CYLINDER		*		1.00
13	PC010508000	SPEED CONTROLLER		*		2.00
14	18038604	WIRE MARK (37)		*		3.00
15	18038703	WIRE MARK (38)		*		3.00
16	BT0400251EB	URETHANE HOSE, BLACK		*		3.00
17	25014309	SCREW		*		1.00
18	WP0561616SC	WASHER 5.6X16X1.6				2.00
19	SK3513200SC	WOOD SCREW D=5.1 L=32				2.00
20	25014457	SOLENOID VALVE ASM.				1.00
21	PV130517000	SOLENOID VALVE		*		3.00
22	PV150517000	SOLENOID VALVE		*		1.00
23	HK028910080	HOUSING 8P		*		1.00
24	HK029040000	PIN TERMINAL		*		8.00
25	HX001890000	SPIRAL TUBE		*		0.30
26	EA9500B0100	CABLE BAND		*		2.00
27	18036400	WIRE MARK (15)		*		1.00
28	18036509	WIRE MARK (16)		*		1.00
29	18036608	WIRE MARK (17)		*		1.00
30	18036707	WIRE MARK (18)		*		1.00
31	17852559	DECOMPRESSION VALVE ASM.				1.00
32	PC0205010A0	MINIATURE DECOMPRESSION VALVE		*		1.00
33	GEP01013000	VALVE		*		1.00
34	PX050501000	SILENCER		*		1.00
35	PJ304040504	ELBOW UNION		*		2.00
36	PJ030050001	UNIVERSAL NIPPLE		*		1.00
37	18038307	WIRE MARK (34)		*		2.00
38	18038505	WIRE MARK (36)		*		1.00
39	BT0400251EB	URETHANE HOSE, BLACK		*		0.20
40	SL4040891SC	SCREW M4 L=8				2.00
41	17852955	HALF UNION C ASM.				1.00
42	PJ301040505	HALF UNION		*		1.00
43	18038109	WIRE MARK (32)		*		1.00
44	17853052	HALF UNION D ASM.				1.00
45	PJ301040505	HALF UNION		*		1.00
46	18038208	WIRE MARK (33)		*		1.00
47	17853359	LONG ELBOW ASM.				1.00
48	PJ304040507	LONG ELBOW UNION		*		1.00
49	18038307	WIRE MARK (34)		*		1.00
50	17853151	HALF UNION E ASM.				1.00

51	PJ301040505	HALF UNION		*		1.00
52	18038604	WIRE MARK (37)		*		1.00
53	PJ010505001	JOINT				1.00
54	17853250	HALF UNION F ASM.				1.00
55	PJ301040505	HALF UNION		*		1.00
56	18038703	WIRE MARK (38)		*		1.00
57	17973751	LOADER SWITCH ASM.				1.00

# HOW TO MAKE USE OF THIS PARTS LIST

1.As to "#01" and "#02" refer to the "Note" given at the bottom of the respective pages.

2.Codes on the "Qty" column

- Each numeral indicates the number of parts required.
- "0.1" and "2.5" indicate the length (in meters) of the respective parts.

3.Parentheses mean that the corresponding part is a subpart that constructs an assembly part.

4.Dotted lines on the Figures indicate assembly parts.

1. リストページの# 0 1、# 0 2の印は、ページ下の"注記"の説明を参照下さい。

2. 数量欄の数字は、個数を表し、0. 1、2. 5等の数値は、長さ（単位メートル）を表します。

3. 数量欄の（ ）は、組部品を構成している子部品であることを意味します。

4. イラストページの-----枠は、組構成であることを意味します。